

**FULL MORTISE
TEMPLATE HINGE ELECTRIC
THROUGH WIRE TYPE ETW**

SIZE: 4 1/2"

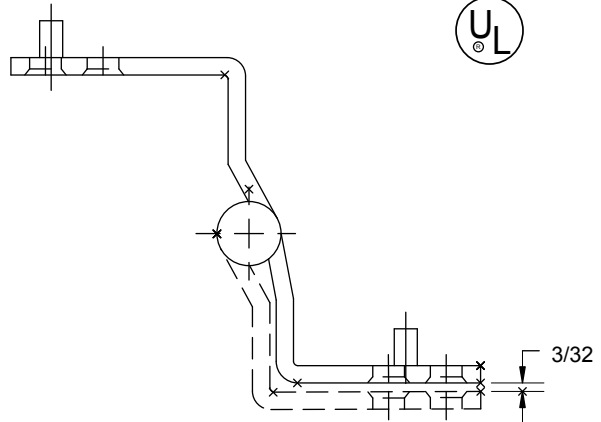
Template No. T628

ORIG. 9-14-00 RAM



FOR SQUARE EDGE DOORS

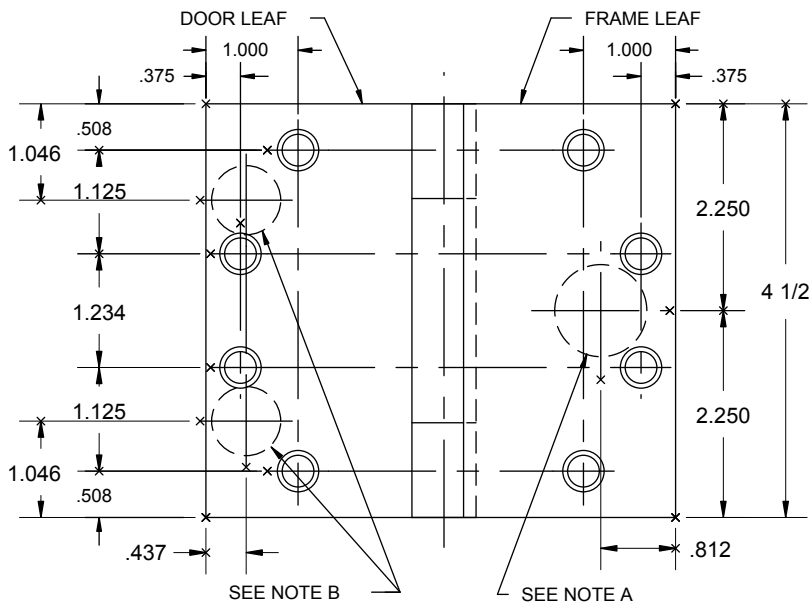
<p>ETW MAXIMUM ELECTRICAL RATING CONTACT THROUGH WIRE VOLTS 48V DC/AC AMPERES 3.5A CONTINUOUS CURRENT 16.0A CURRENT INRUSH (300 MILLISECONDS)</p>



DRILLING INSTRUCTIONS

NOTE A:
DRILL AND DEBURR \varnothing 1" HOLE IN FRAME REINFORCEMENT FOR THROUGH WIRES.

- NOTE B:
1. NON-HANDED INSTALLATION- DRILL AND DEBURR TWO (2) \varnothing 3/4" HOLES IN DOOR REINFORCEMENT PLATE FOR THROUGH WIRES.
 2. RIGHT HAND INSTALLATION- DRILL AND DEBURR \varnothing 3/4" HOLE FOR THROUGH WIRES IN DOOR REINFORCEMENT PLATE ON BOTTOM LEFT.
 3. LEFT HAND INSTALLATION- DRILL AND DEBURR \varnothing 3/4" HOLE FOR THROUGH WIRES IN DOOR REINFORCEMENT PLATE ON UPPER RIGHT.



-DO NOT SCALE-

CATALOG NUMBER		METAL GAUGE
STEEL HINGES		
AB7501		.187

ALL DIMENSIONS ARE IN INCHES.

Machine Screw Size- 12-24 x 1/2" F.H.
Wood Screw Size- No. 12 x 1 1/4" F.H.

Designed to swing doors completely clear of the opening when door is opened 95°. When opened 90°, door projects 11/64 (4.37) past stop of jamb.

NOTE: This hinge alters the normal pivot point of door. For door closers, friction or overhead door holders to be used in conjunction with this hinge, consult manufacturer of the device for application details.



Hospital type template hinges conform to the above screw size and location. They are designated by "HT" to catalog number.

Hager template hinges are made in gauge and with screw holes located to conform to ANSI-A156.7.

<p>HAGER RESERVES THE RIGHT TO MAKE DESIGN CHANGES WITHOUT NOTICE. CALL HAGER ENGINEERING AT 1-800-325-9995 FOR LATEST REVISION DATE OF TEMPLATE.</p>

HAGER COMPANIES
139 VICTOR STREET
P.O. BOX 12300
ST. LOUIS, MISSOURI 63157-0300

Template No. T628