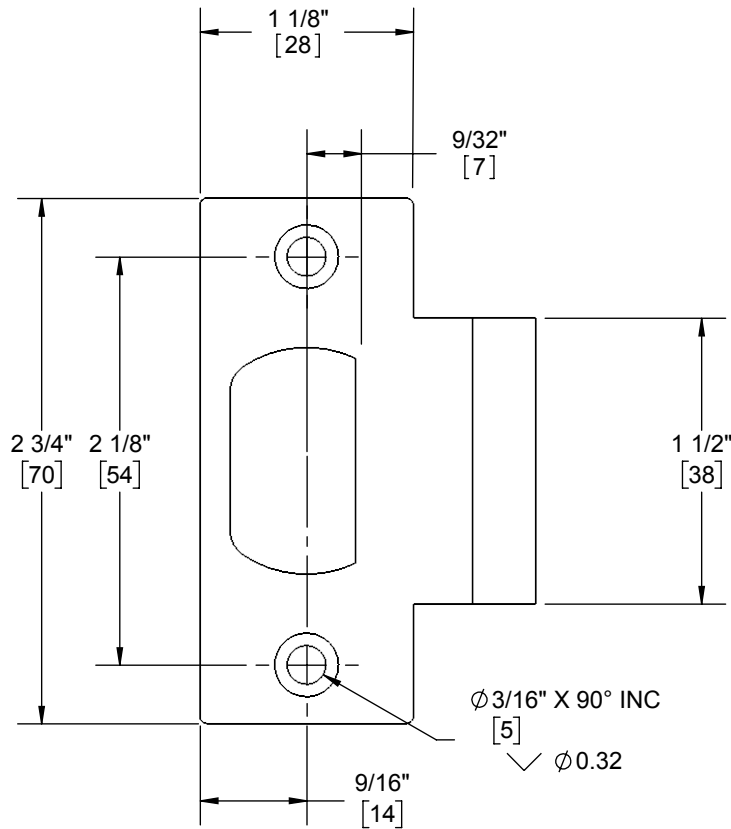
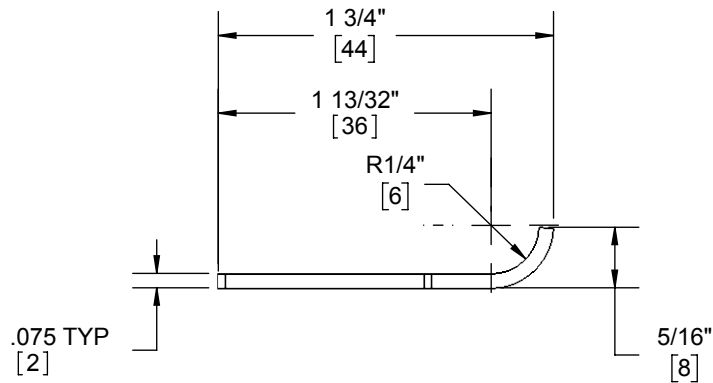


REV.	DESCRIPTION	ECO NO.	DATE
01	REMOVED LIP AND RESIZE OPENING	LS18014	6/5/2018
02	UPDATED DRAWING TITLE BLOCK, ADDED HOLE CALLOUT	LS18014	10/4/2018



HAGER RESERVES THE RIGHT TO MAKE DESIGN CHANGES WITHOUT NOTICE. CALL HAGER ENGINEERING AT 1-800-325-9995 FOR THE LATEST REVISION DATE OF TEMPLATE.

PRIMARY DIMENSIONS SHOWN IN INCHES, DIMENSIONS IN [ ] ARE MILLIMETERS.

MATERIAL  
BRASS OR STAINLESS STEEL

FINISH  
AS SPECIFIED

DO NOT SCALE DRAWING

DRAWN	KJW	6/5/2018
ENG. APPR.	MAM	10/4/2018
Q.A.		

3933  
T-STRIKE

SIZE <b>A</b>	DWG. NO. S-LS00143	REV. 02
SCALE: 1:1	WEIGHT: 0.08	SHEET 1 OF 1