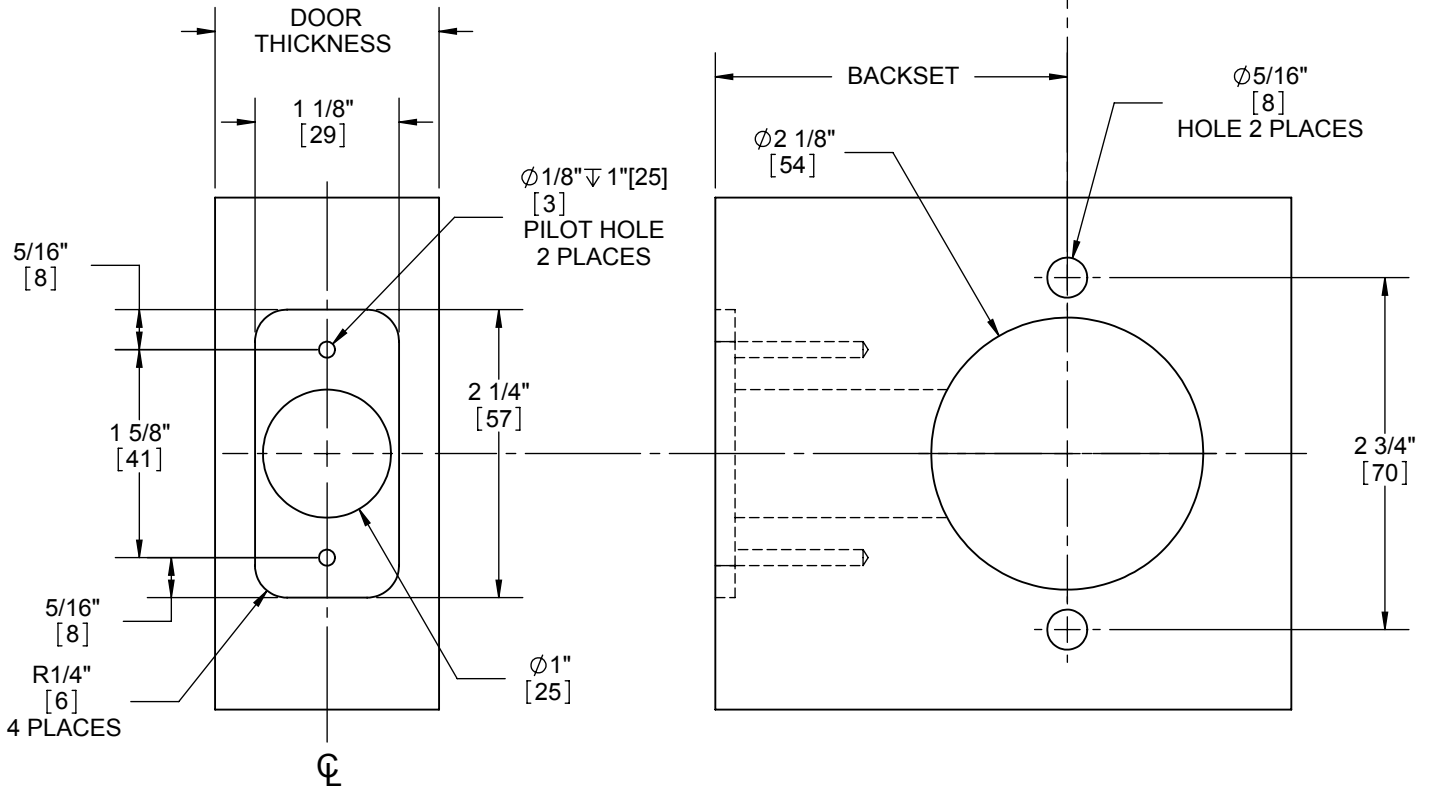
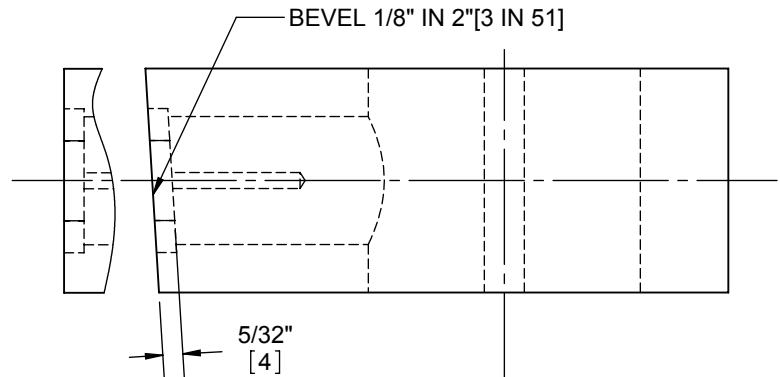
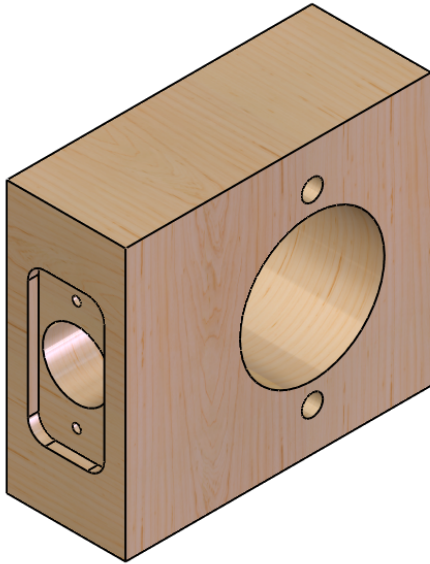


REVISIONS		
REV.	DESCRIPTION	DATE
-	INITIAL CHECK IN	12/5/2007
01	FOR WEBSITE	12/12/2007
02	CHANGED TO LEVER ONLY	5/8/2008



- DOOR TYPE:** WOOD OR COMPOSITE, FLAT OR BEVELED
- DOOR THICKNESS:** 1 3/8"[35] - 2"[51]
- FACEPLATE:** 1/4"R, 1 1/8"[29] WIDTH
- BACKSETS:** 2 3/4"[70] STANDARD, 2 3/8"[60] OPTIONAL, 5"[127] OPTIONAL

DIMENSIONS IN [] ARE IN MILLIMETERS



HAGER RESERVES THE RIGHT TO MAKE DESIGN CHANGES WITHOUT NOTICE. CALL HAGER ENGINEERING AT 1-800-325-9995 FOR THE LATEST REVISION DATE OF TEMPLATE.

PRIMARY DIMENSIONS SHOWN IN INCHES, DIMENSIONS IN [] ARE MILLIMETERS.

DRAWN	MRJ	11/20/2007
ENG. APPR.	MAM	12/05/2007
MATERIAL	Q.A.	
FINISH	-	
DO NOT SCALE DRAWING		
TOLERANCES: FRACTIONAL: ±0.015" ANGULAR: MACH: ± 1° BEND: ± 1° TWO PLACE DECIMAL: ±0.01" THREE PLACE DECIMAL: ±0.004"		

3400		REV.
WOOD DOOR PREP TEMPLATE, ROUND CORNER OPTION (LEVER STYLE)		02
SIZE	DWG. NO.	
A	T-LS00151	
SCALE: 1:2	WEIGHT: 0.41	SHEET 1 OF 1