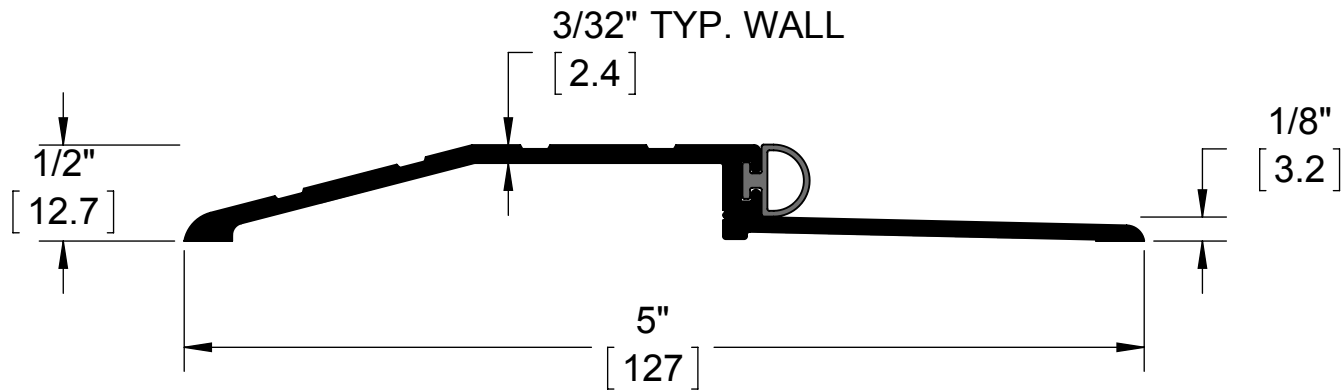



REV.	DESCRIPTION	ECO NO.	DATE
-	INITIAL CHECK IN		2/18/2013



#10 Flat Phillips Head Wood Screws (Factory Provided)

 <p><b>PROPRIETARY &amp; CONFIDENTIAL</b> THE INFORMATION CONTAINED IN THIS DRAWING IS THE SOLE PROPERTY OF HAGER COMPANIES. ANY REPRODUCTION IN PART OR AS A WHOLE WITHOUT THE WRITTEN PERMISSION OF HAGER COMPANIES IS PROHIBITED.</p>	<p>HAGER RESERVES THE RIGHT TO MAKE DESIGN CHANGES WITHOUT NOTICE. CALL HAGER ENGINEERING AT 1-800-325-9995 FOR THE LATEST REVISION DATE OF TEMPLATE.</p>	DRAWN	MRJ	8/12/2011	<p>477S BUMPER THRESHOLD</p>			
		ENG. APPR.	-	-				
		MATERIAL	Material <not specified>			Q.A.		
		FINISH	-			<p>TOLERANCES: FRACTIONAL: ±0.015" ANGULAR: MACH: ± 1° BEND: ±1° TWO PLACE DECIMAL: ±0.01" THREE PLACE DECIMAL: ±0.004"</p>		
DO NOT SCALE DRAWING		SIZE	A		DWG. NO.	S-TW00036	REV.	-
		SCALE: 1:1	WEIGHT: 0.20		SHEET 1 OF 1			