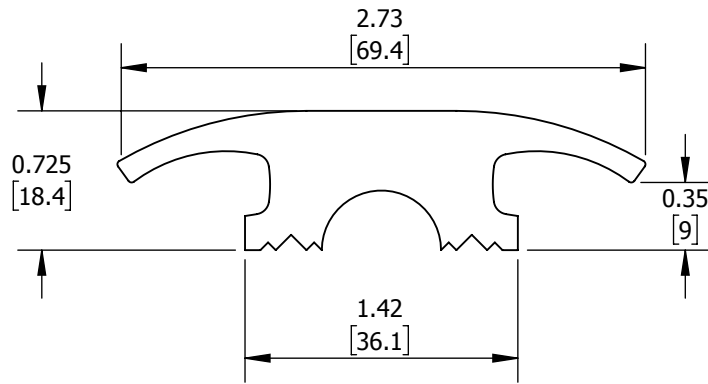



REV.	DESCRIPTION	ECO NO.	DATE
-	INITIAL CHECK IN		7/5/2017
01	UPDATED TOLERANCES FOR PPAP	NPD16011	8/11/2017



NOTES
 UL10C & UL10B Rated
 Material - Vinyl

 PROPRIETARY & CONFIDENTIAL THE INFORMATION CONTAINED IN THIS DRAWING IS THE SOLE PROPERTY OF HAGER COMPANIES. ANY REPRODUCTION IN PART OR AS A WHOLE WITHOUT THE WRITTEN PERMISSION OF HAGER COMPANIES IS PROHIBITED.	HAGER RESERVES THE RIGHT TO MAKE DESIGN CHANGES WITHOUT NOTICE. CALL HAGER ENGINEERING AT 1-800-325-9995 FOR THE LATEST REVISION DATE OF TEMPLATE.	DRAWN	PK	7/5/2017	902S Tile to Tile Vinyl Threshold	
		MATERIAL	ENG. APPR.	-		-
		FPVC	Q.A.			TOLERANCES: FRACTIONAL: ±0.015" ANGULAR: MACH: ±1° BEND: ±1° TWO PLACE DECIMAL: ±0.065" THREE PLACE DECIMAL: ±0.030"
		FINISH	DO NOT SCALE DRAWING			
		SIZE	DWG. NO.	REV.		
		A	S-TW00280	01		
		SCALE:1:1	WEIGHT:0.21		SHEET 1 OF 1	