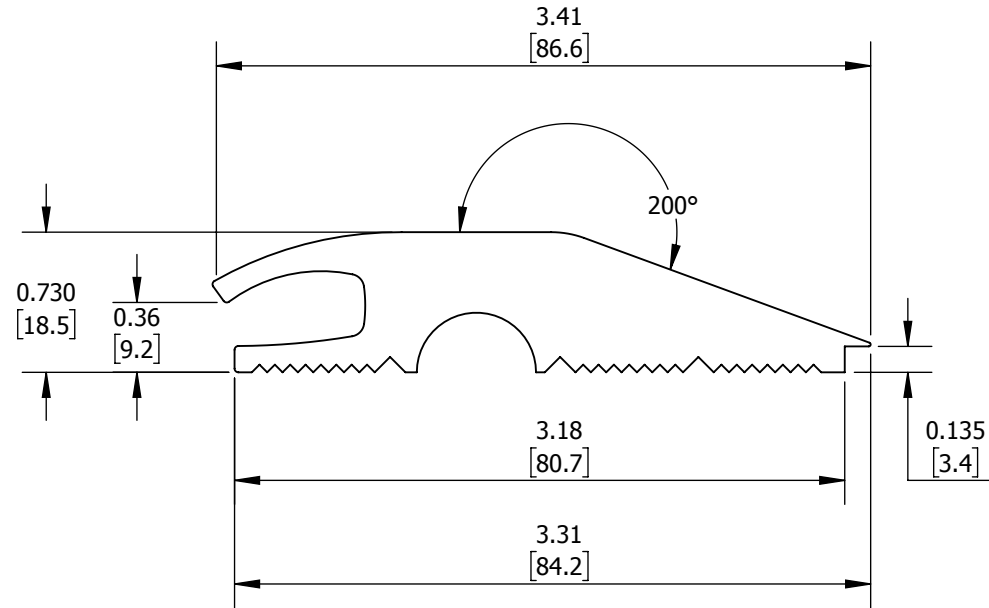



REV.	DESCRIPTION	ECO NO.	DATE
-	INITIAL CHECK IN		7/5/2017
01	UPDATED TOLERANCES FOR PPAP	NPD16011	8/11/2017



NOTES
UL10C & UL10B Rated
Material - Vinyl

 PROPRIETARY & CONFIDENTIAL THE INFORMATION CONTAINED IN THIS DRAWING IS THE SOLE PROPERTY OF HAGER COMPANIES. ANY REPRODUCTION IN PART OR AS A WHOLE WITHOUT THE WRITTEN PERMISSION OF HAGER COMPANIES IS PROHIBITED.	HAGER RESERVES THE RIGHT TO MAKE DESIGN CHANGES WITHOUT NOTICE. CALL HAGER ENGINEERING AT 1-800-325-9995 FOR THE LATEST REVISION DATE OF TEMPLATE.	DRAWN	PK	7/5/2017	904S Carpet to Tile Transition Vinyl Threshold	
		MATERIAL	ENG. APPR.	-		-
		FPVC	Q.A.			
		FINISH	TOLERANCES: FRACTIONAL: $\pm 0.015''$ ANGULAR: MACH: $\pm 2^\circ$ BEND: $\pm 2^\circ$ TWO PLACE DECIMAL: $\pm 0.065''$ THREE PLACE DECIMAL: $\pm 0.030''$			SIZE DWG. NO. S-TW00282 REV.
DO NOT SCALE DRAWING				SCALE: 1:1 WEIGHT: 0.32 SHEET 1 OF 1	01	