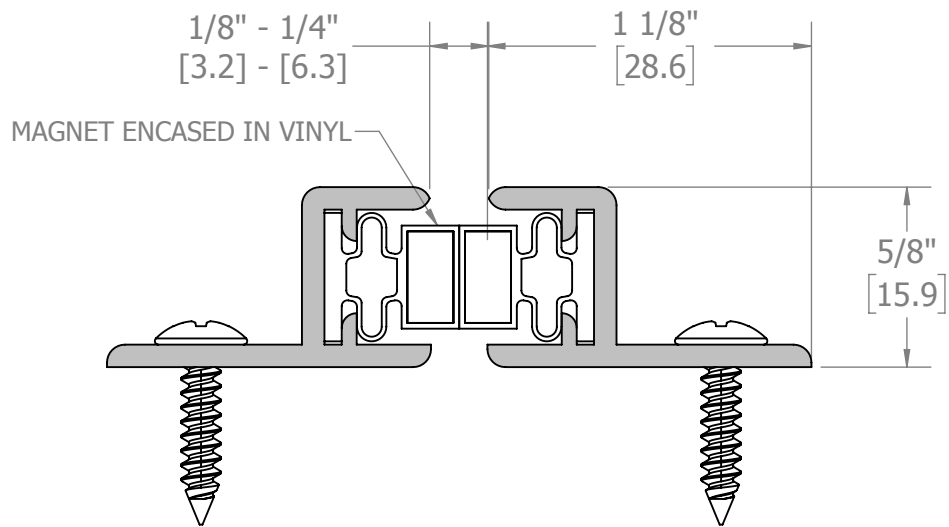


1. CUT ASTRAGAL TO DESIRED LENGTH.
2. POSITION ASTRAGAL ON DOOR AND FRAME TO ENSURE PROPER SEAL.
3. MARK AND DRILL PILOT HOLES WITH 7/64" BIT.
4. INSTALL WITH SUPPLIED HARDWARE, WORKING FROM TOP DOWN ADJUSTING THE ASTRAGAL SO IT DOES NOT IMPEDE THE CLOSING OR LATCHING OF THE DOOR.



**SUPPLIED HARDWARE:
#6 x 5/8" PPHS SCREWS**



HAGER NO: 66990009	DESCRIPTION: 849S MAGNETIC ASTRAGAL INSTRUCTIONS		
TEMPLATE NO: -	DRAWING NO: 6699-0009 I-TW00260		
REV: 2	REV DATE: 01.27.17	SHEET 1 OF 1	