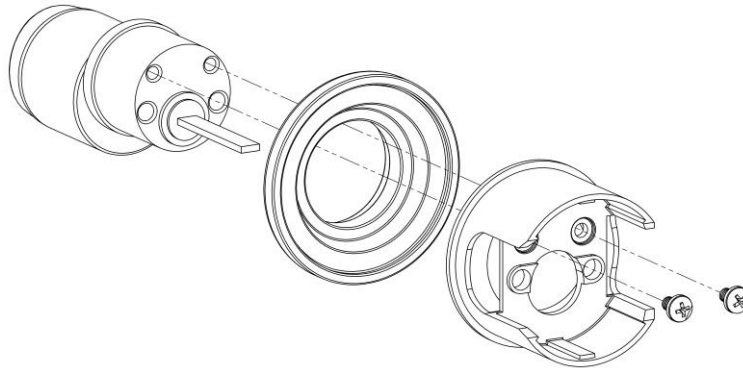
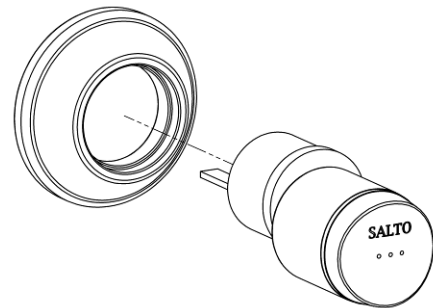


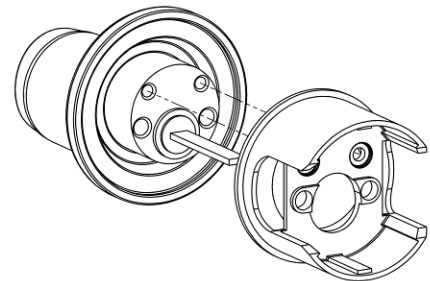
**ASSEMBLE THE FIRE SHIELD ONTO THE GEO CYLINDER  
THROUGH THE CYLINDER COLLAR AND SCALP**



**STEP 1:** Insert the SALTO GEO cylinder into the Cylinder Collar



**STEP 2:** Put the Fire Shield onto the back of the GEO Cylinder, lining up the mounting holes



**STEP 3:** Install the two #8-32 x 1/4" mounting screws from the screw pack into the top 2 mounting holes in the cylinder through the fire shield.

