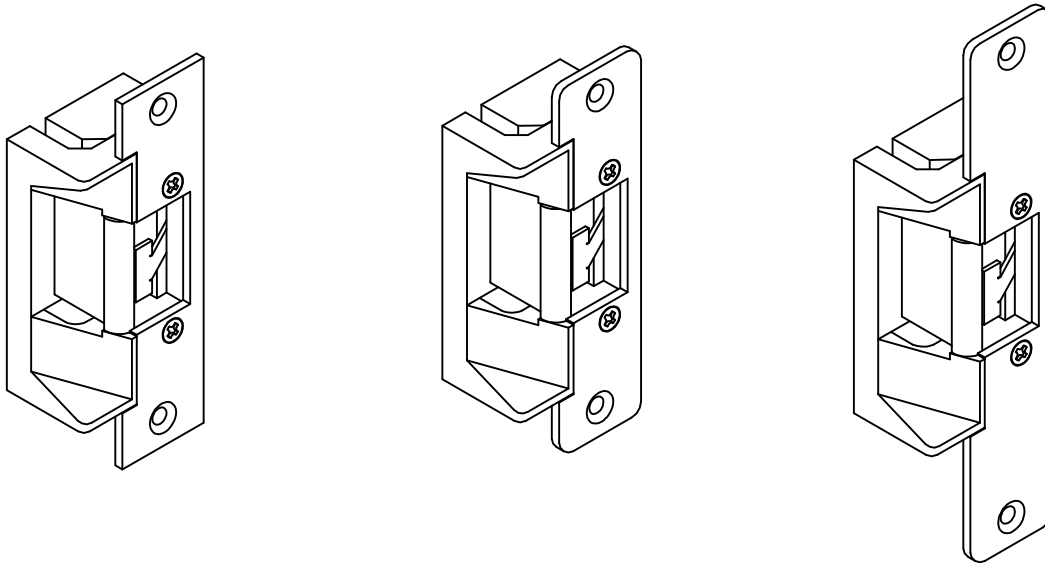


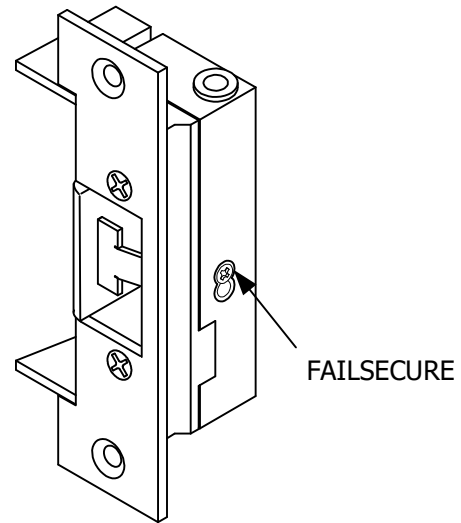
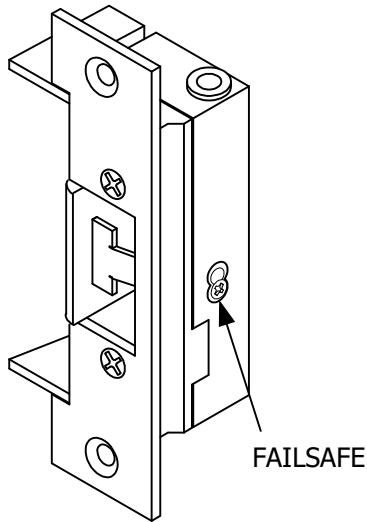
**INSTALLATION INSTRUCTIONS
2928 SERIES ELECTRIC STRIKES****MODELS:**

- 2928-SC – 4.875" (124mm) Square corners for wood and hollow metal frames.
- 2928-RC – 4.875" Radius corners for aluminum/ wood frame
- 2928-6R – 6.875" Radius corners for aluminum/ wood frame.
- 2928-7R – 7.938" Radius corners for aluminum/ wood frame

FEATURES:

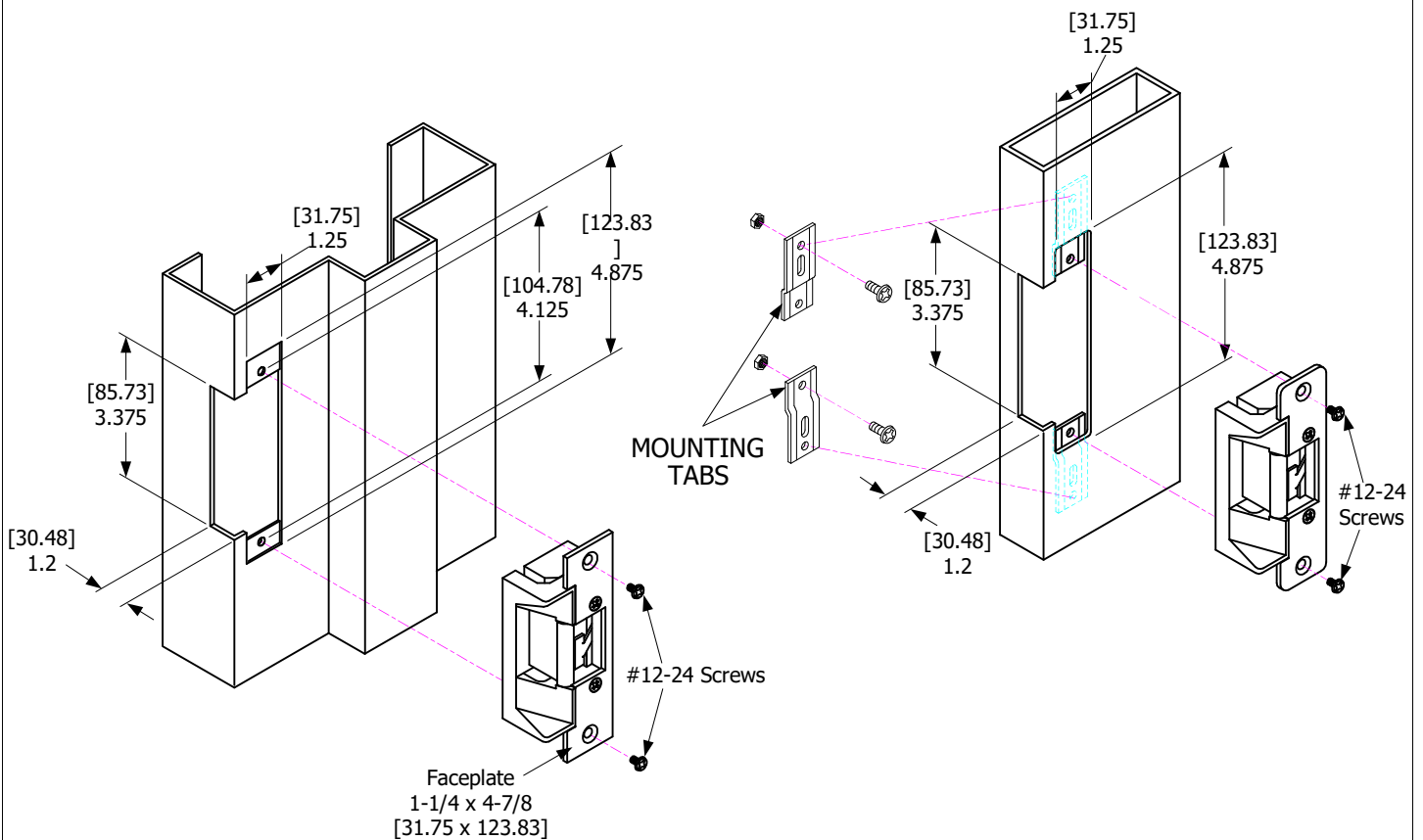
- For 5/8" latch or 3/4" latch with 1/8" door gap.
- Latch bolt monitor standard.
- Keeper closed & deadlocked standard.
- Field selectable fail-safe / fail-secure.
- Field selectable voltage, 12/24V AC/DC
- AC with Rectifier (BR64XL)
- 1/4" horizontal alignment adjustment.
- Plug-in wire connectors.
- Low profile, 1-3/16" deep
- All stainless steel parts with durable die cast body for corrosion resistance.
- Fewer moving parts for maximum life.
- 630 stainless steel standard.
- ANSI A156.31
- UL Listed (BP10254)

FAILSAFE STANDARD. FIELD ADJUSTABLE FROM FAILSAFE TO FAILSAFE AS SHOWN



Typical Hollow Metal Frame

Typical Aluminum Frame



ELECTRICAL DATA:

- Dual Voltage: 200/100mA @ 12/24VDC
 140/70mA @ 12/24VAC

MONITORING:

- Latch Status: SDPT, dry 3Amp @ 30V (standard)
- Keeper Closed and Deadlocked (standard)
- Keeper Open/Closed Status: SPDT, Dry 3Amp @ 30V (optional)

Latch Status:
 Orange - COM
 White - N/O
 Grey - N/C

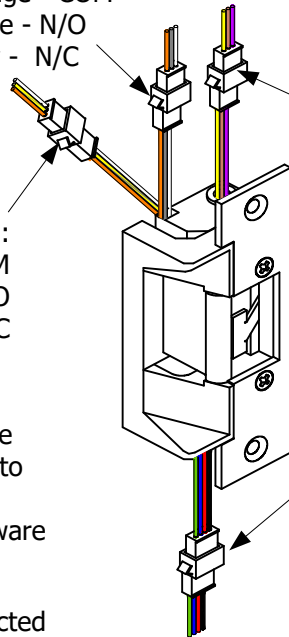
Keeper Status - Locked/Unlocked:
 Purple - COM
 Brown - N/O
 Yellow - N/C

Keeper Status - Open/Closed:
 Wht/Blk - COM
 Yel/Blk - N/O
 Org/Blk - N/C

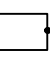

Notes:

The electric door strike shall be installed in such a way as not to impair the operation of an emergency exit or panic hardware mounted on the door.

Wire leads must not be connected to conductors larger than 18AWG

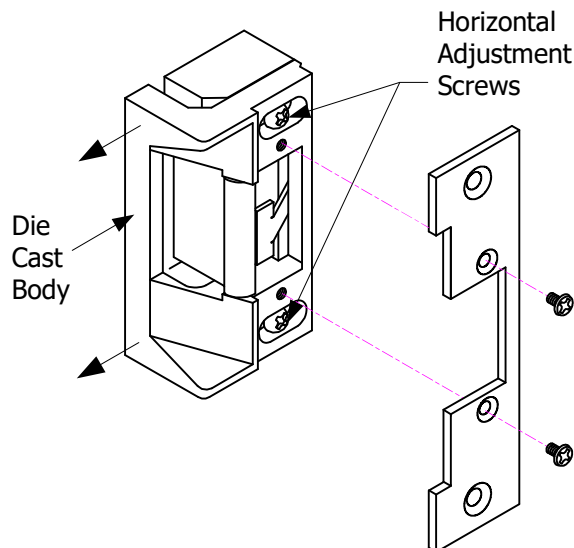


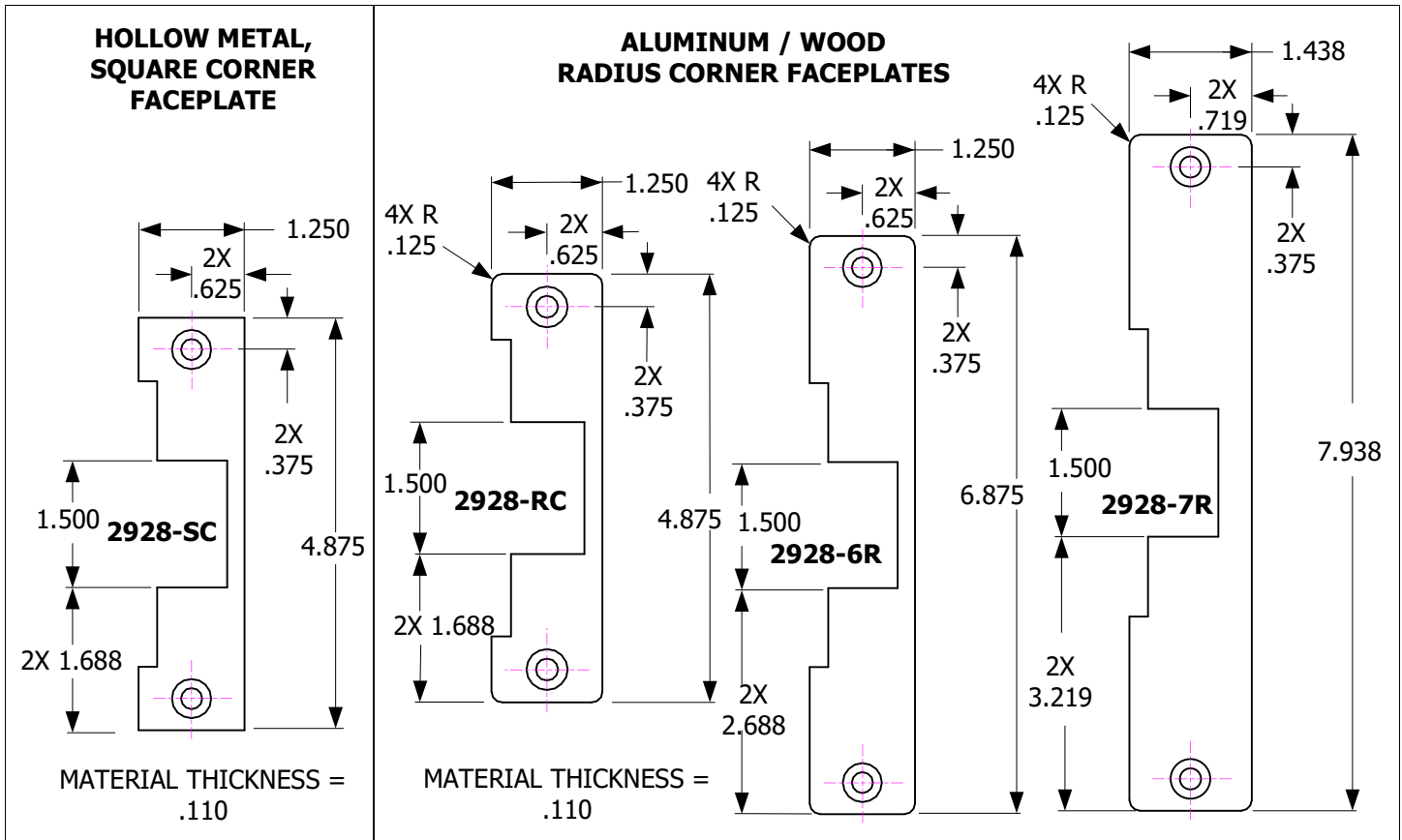
Solenoid: Black, Red, Blue & Green

12V		24V	
Red	 +	Red	 +
Black		Black	
Blue		Blue	
Green		Green	
	-		-

Horizontal Adjustment

Remove Faceplate. Loosen Horizontal Adjustment Screws and slide Die Cast Body out as needed. Retighten Adjustment Screws and replace Faceplate.





2928 SERIES ELECTRIC STRIKE FRAME PREPARATION FOR HOLLOW METAL FRAMES

