

DEVICES COVERED IN THIS DOCUMENT:

4501N EL/EU 12/24V Fail Safe/Fail Secure Electrified Mortise Exit Lock Body

Note: This document only applies to the electrifications that can be done to the Mortise Exit Device Lock Body alone. The Request to Exit (RX), Motorized Latch Retraction (MLR), Electric Dogging (ED), Delayed Egress (DE), Onboard Delayed Egress (OBDE), Alarm Kit (ALK) and Dual RX are all available modifications to the mortise exit device but are included in the push bar. For more information about those please see the electrified exit device documentation.

FUNCTION DESCRIPTION

4501N EL – Fail Safe Electrified Mortise Exit Lock Body

Outside trim is locked when power is applied and unlocked when power is removed. Trim will unlock in the event of a power failure. Key cylinder momentarily overrides locking control.

4501N-EU – Fail Secure Electrified Mortise Exit Lock Body

Outside trim is unlocked when power is applied and locked when power is removed. Trim will lock in the event of a power failure. Key cylinder momentarily overrides locking control.

ELECTRICAL SPECIFICATIONS

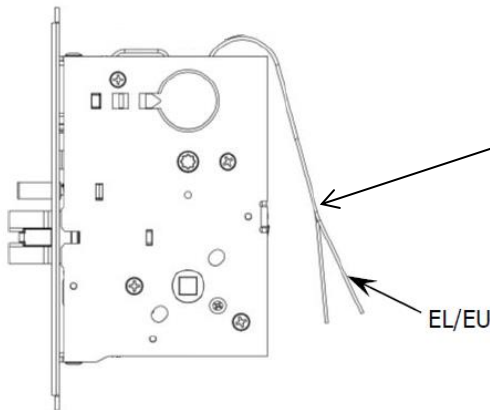
4501N EL/EU

Voltage: 12-24V AC/DC (11V-30V)

Current: 250 mA MAX Inrush, 10mA MAX holding

2-Conductor Wire Run

Distance 12V/24V	Wire Gauge
125'/250'	22
200'/400'	20
300'/600'	18
500'/1000'	16
750'/1500'	14
1250'/2500'	12

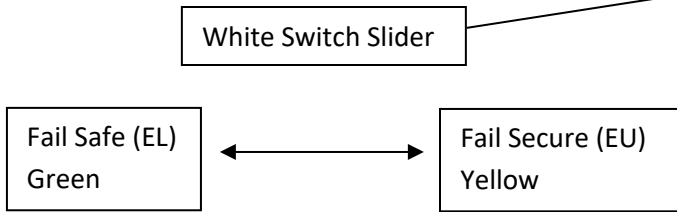
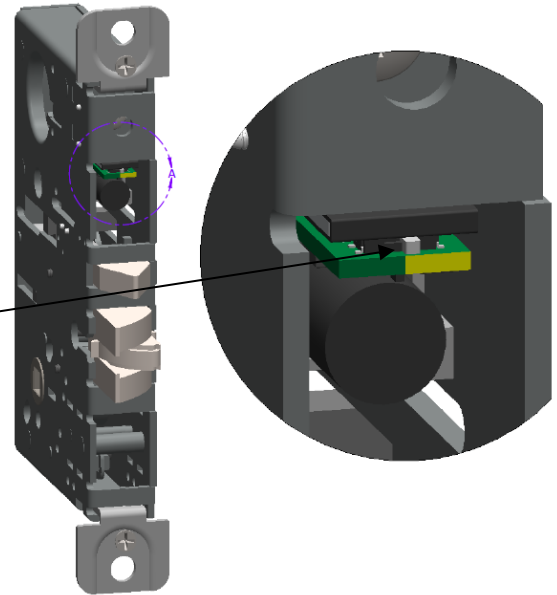


Wire Color is Blue. Non-polarized leads.
(AC/DC)

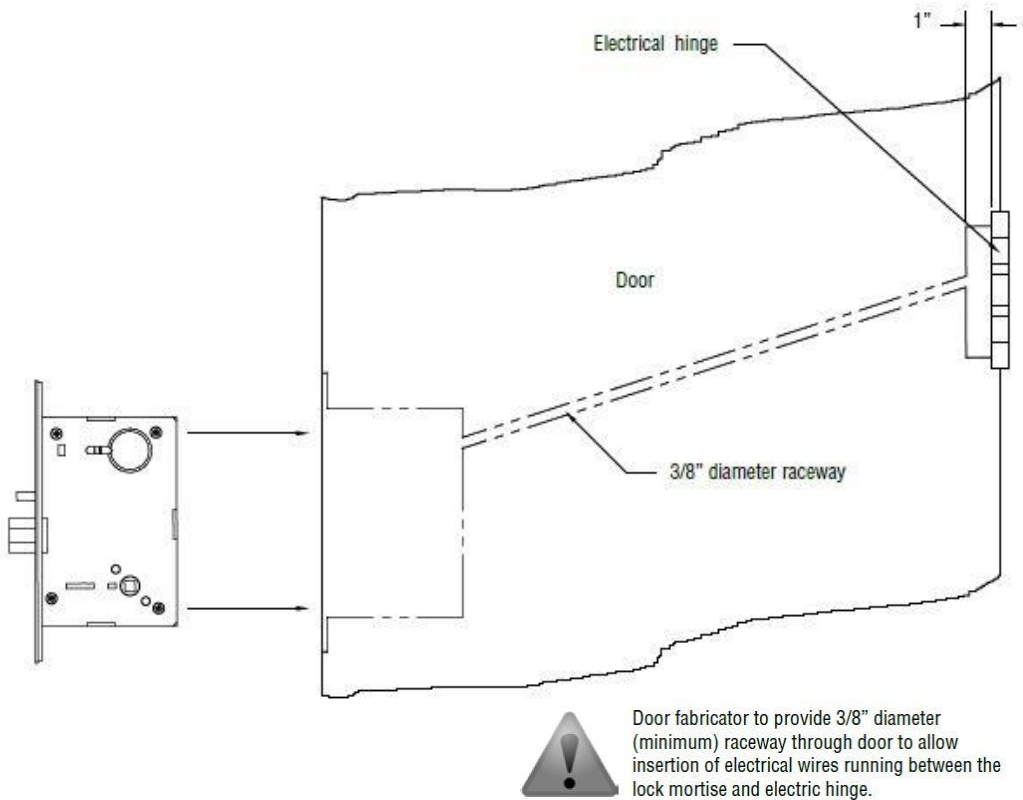
EL/EU

4501N EL/EU Function Change

The 4501N EL/EU is set to Fail Secure (EU) when shipped. This can be changed to EL by sliding the White switch from Yellow to Green as shown to the right. The unit must have power applied at least once before the lockset changes state. Note that the latch bolt may be momentarily retracted by key even if the lockset is electrically locked.



Door, Frame and Raceway Preparations



Follow mortise exit device lock body instructions and template to prepare door and frame for installation. Since the motor is located inside the lock body, there are no special preparations or alterations to the standard installation except for the raceway to route wires.

Door raceway preparations are required to route electrical wires. See diagram to the left for raceway specifications. See Mortise Exit Device Instructions (I-ED01553) and template (T-ED01545) to complete installation.