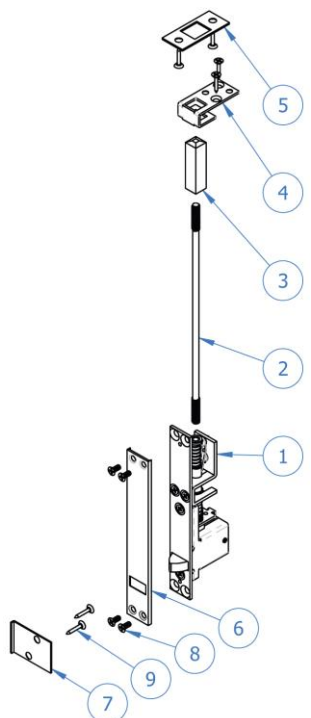
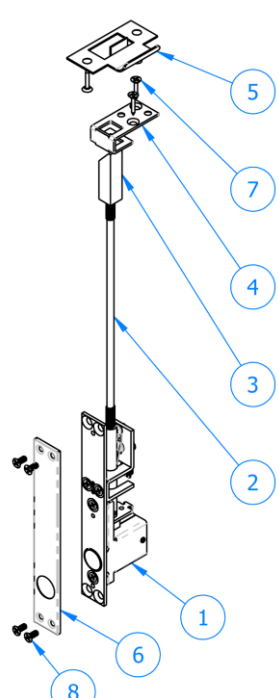


Contents:	292S QTY:	
1. Body (Automatic Flush Bolt for Metal Doors)	1	
2. Extension Rod (Metal Doors)	1	
3. Bolt Head (Automatic Flush Bolt for Metal Doors)	1	
4. Bolt Head Guide (Metal Doors)	1	
5. Frame/Floor Strike (Automatic Flush Bolt)	1	
6. Cover Plate (Automatic Flush Bolt for Metal Doors)	1	
7. Active Door Strike (Automatic Flush Bolt)	1	
8. #8-32 x 3/8" Flat Phillips Head Machine Screw	4	
9. #8 x 3/4" Flat Phillips Head Undercut Combo Screw	6	

Contents:	293S QTY:	
1. Body (Self-Latching Flush Bolt for Metal Doors)	1	
2. Extension Rod (Metal Doors)	1	
3. Bolt Head (Self-Latching Flush Bolt for Metal Doors)	1	
4. Bolt Head Guide (Metal Doors)	1	
5. Frame Strike (Self-Latching Flush Bolt)	1	
6. Cover Plate (Self-Latching Flush Bolt for Metal Doors)	1	
7. #8 x 3/4" Flat Phillips Head Undercut Combo Screw	4	
8. #8-32 x 3/8" Flat Phillips Head Machine Screw	4	

PLEASE READ ALL INSTRUCTIONS BEFORE INSTALLING**INCH = AUTHORITY****[] = MILLIMETER REFERENCE**

1. Install the Door Coordinator (Sold Separately)
2. Prep the Inactive Door using Figure 1 for 292S and Figure 2 for 293S

Notes:

- a. 292S can be installed on both the top or bottom of the inactive door
- b. 293S can only be installed on the top of the inactive door

3. Set the Cover Plate to the Flush Bolt Body
4. Using 4ea of the #8-32 x 3/8" Flat Phillips Head Machine Screws, secure the Flush Bolt Body to the Mortised Inactive Door
5. Thread the Extension Rod to the Flush Bolt Body
6. Rotate the Bolt Head and Extension Rod so that the top of the Bolt Head sits flush with the top/bottom of the door when in the retracted position
7. Install the Bolt Head Guide to the top/bottom of the door using 2ea of the #8 x 3/4" Flat Phillips Head Undercut Combo Screws
8. Using Figure 4 for 292S, Figure 5 for 293S and 2ea of the #8 x 3/4" Flat Phillips Head Undercut Combo Screws, install the Frame and/or Floor Strike

Notes:

- a. Make sure the Frame and/or Floor Strike centerline is aligned with the Bolt Head centerline
- b. Bolts have a max throw of 3/4"

9. Hang the Door

STEP 10 IS FOR 292S ONLY

10. Using Figure 3 and 2ea of the #8 x 3/4" Flat Phillips Head Undercut Combo Screws, install the Active Door Strike

Notes:

- a. Make sure the Active Door Strike centerline is aligned with the Flush Bolt Cam centerline
- b. Surface mount the Active Door Strike when the gap between the doors is 3/16" or greater. If gap is smaller than 3/16", mortise the Active Door Strike into the active door edge.

11. Test the functionality of the product

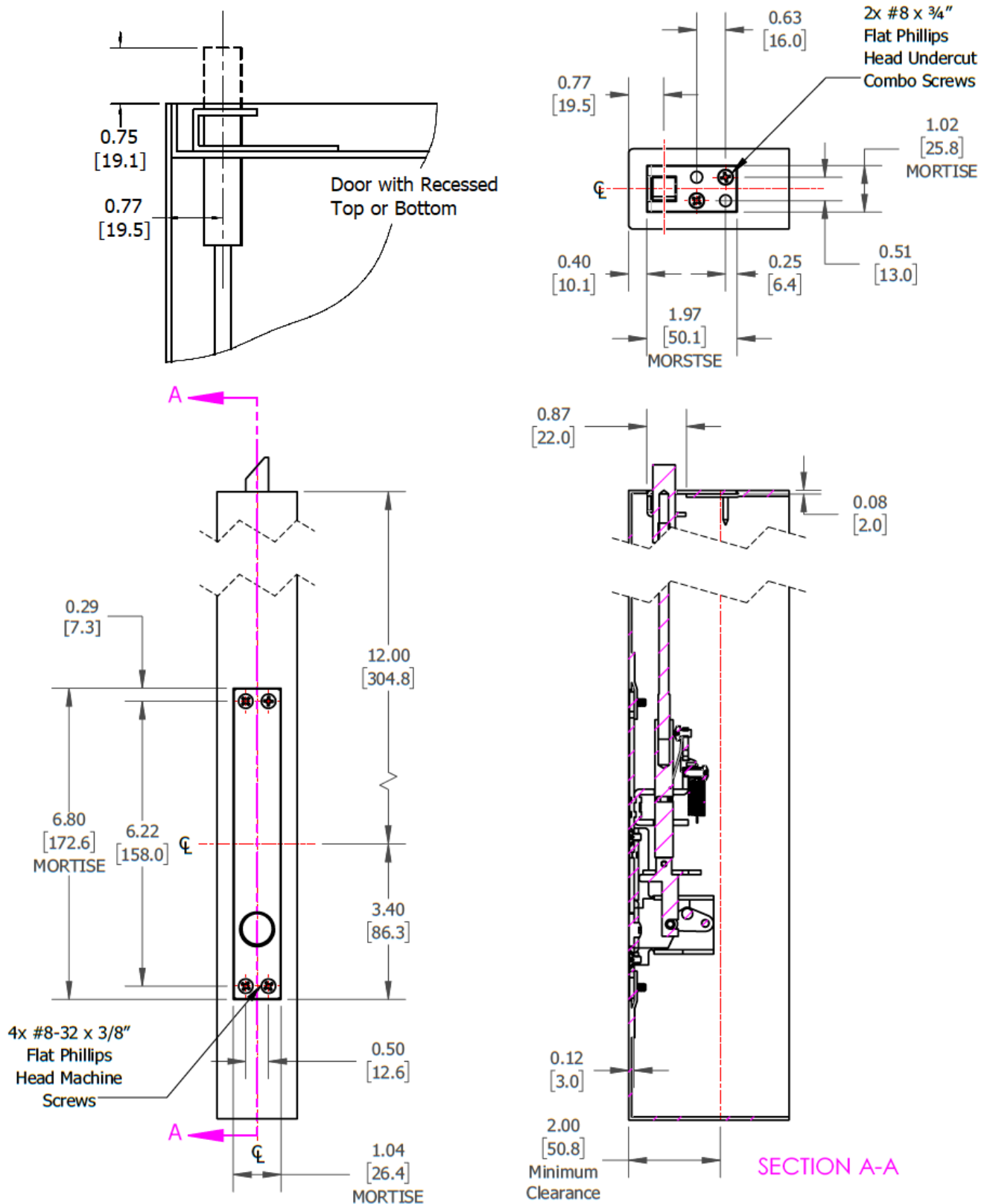


Figure 2: 293S Self-Latching Flush Bolt for Metal Doors

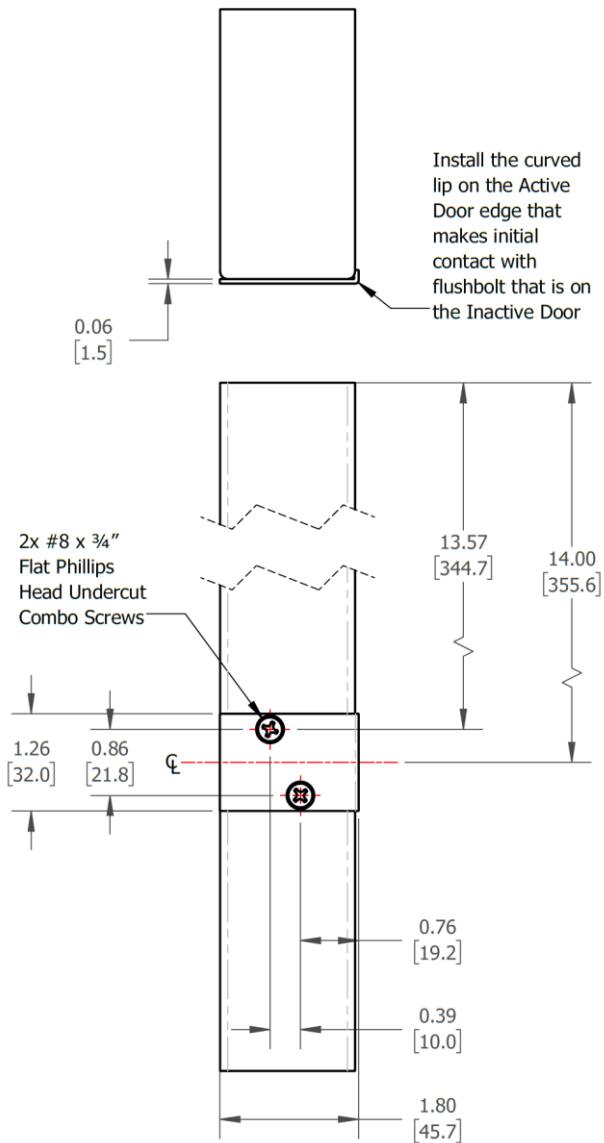


Figure 3: Active Door Strike

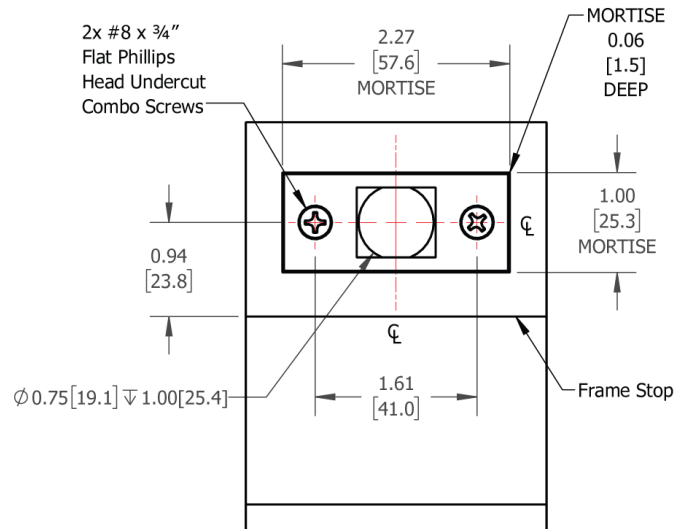


Figure 4: Automatic Flush Bolt Frame/Floor Strike

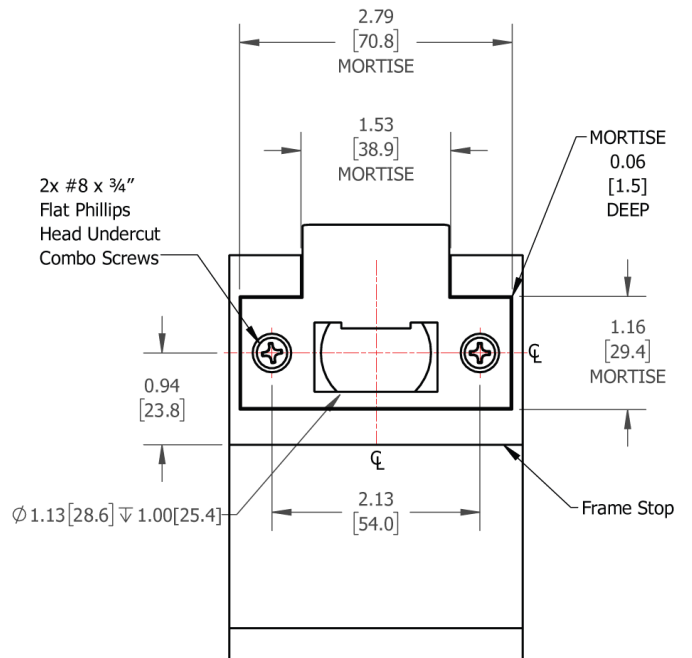


Figure 5: Self-Latching Flush Bolt Frame Strike