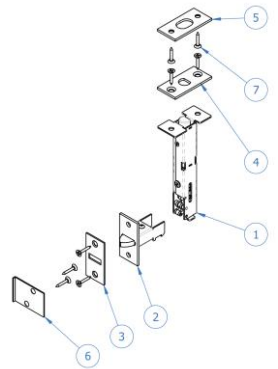


Contents:	296S QTY:	296D QTY:	
1. Latch Bolt Housing	1	2	
2. Cam Housing	1	2	
3. Cover Plate (Universal Automatic Flush Bolt)	1	2	
4. Bolt Head Guide (Universal Automatic Flush Bolt)	1	2	
5. Frame/Floor Strike (Universal Automatic Flush Bolt)	1	2	
6. Active Door Strike (Automatic Flush Bolt)	1	2	
7. #8 x 3/4" Flat Phillips Head Undercut Combo Screw	8	16	

PLEASE READ ALL INSTRUCTIONS BEFORE INSTALLING

INCH = AUTHORITY

[] = MILLIMETER REFERENCE

1. Install the Door Coordinator (Sold Separately)
2. Prep the Inactive Door using Figure 1

Note:

- a. Make sure the prepped holes are perpendicular to each other to avoid the cam housing from binding up

3. Insert the latch bolt housing into the top/bottom hole created in the previous step
4. Rotate bolt so that the top of the bolt sits flush with the top/bottom of the door when in the retracted position
5. Insert the cam housing into the horizontal holes created in the previous step

Notes:

- a. Verify the engagement of the cam housing to the latch bolt housing by pressing on the flush bolt cam to check if the bolt extends. Rotate the latch bolt housing 180 degrees if the bolt does not extrude.
- b. Verify if the groove on the cam housing is hooked on the salient in the latch bolt housing. See Figure 4.

6. Secure the bolt head guide and latch bolt housing using 2ea of the #8 x 3/4" Flat Philipps Head Undercut Combo Screws
7. Secure the cover plate and cam housing using 2ea of the #8 x 3/4" Flat Philipps Head Undercut Combo Screws
8. Using Figure 3 and 2ea of the #8 x 3/4" Flat Philipps Head Undercut Combo Screws, install the Frame/Floor Strike

Notes:

- a. Make sure the Frame/Floor Strike centerline is aligned with the Bolt centerline
- b. Bolts have a max throw of 3/4"

9. Hang the Door
10. Using Figure 2 and 2ea of the #8 x 3/4" Flat Philipps Head Undercut Combo Screws, install the Active Door Strike

Notes:

- a. Make sure the Active Door Strike centerline is aligned with the flush bolt cam centerline
- b. Surface mount the Active Door Strike when the gap between the doors is 3/16" or greater. If gap is smaller than 3/16", mortise the Active Door Strike into the active door edge.

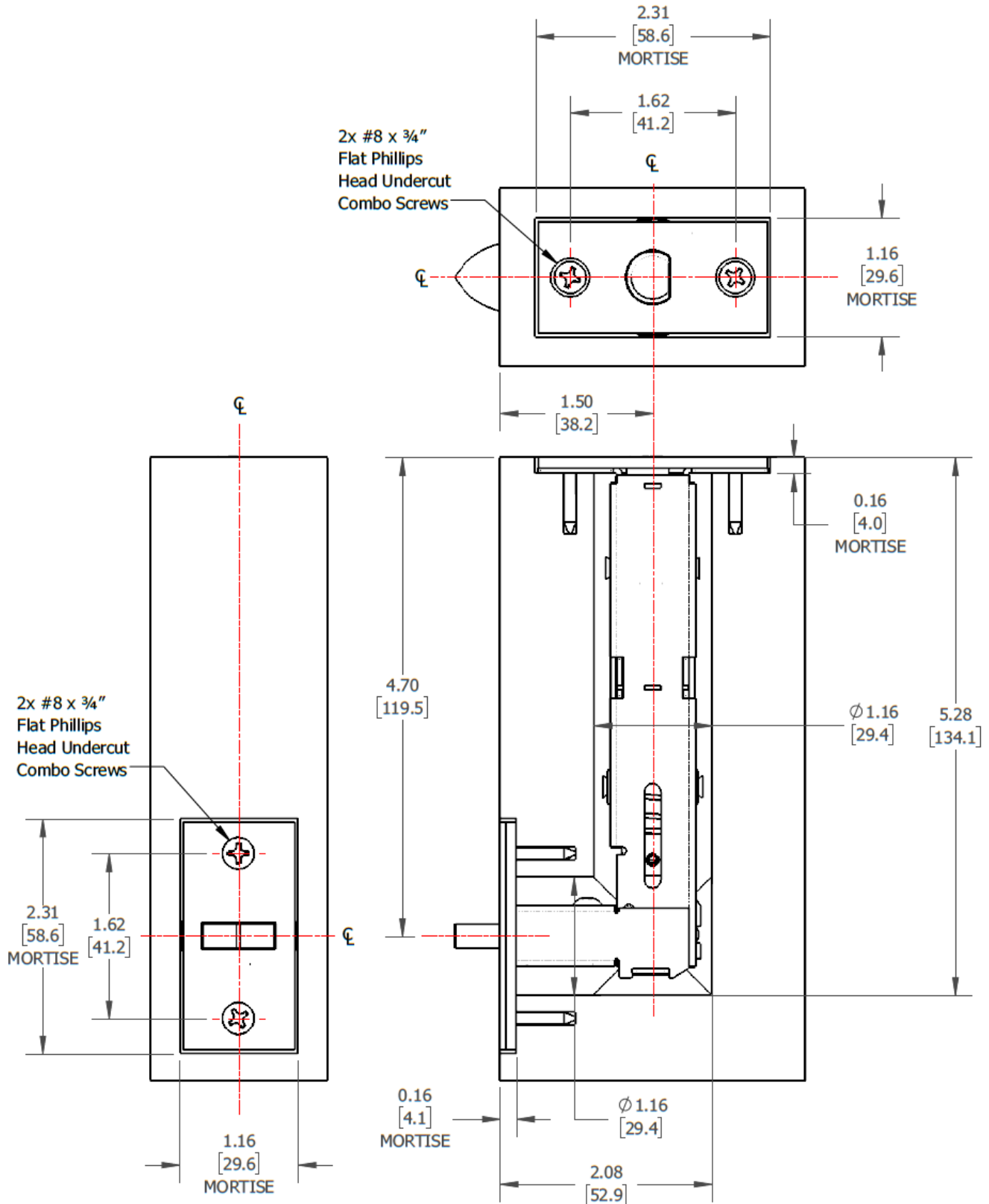


Figure 1: 296S & 296D Universal Automatic Flush Bolts for Metal & Wood Doors

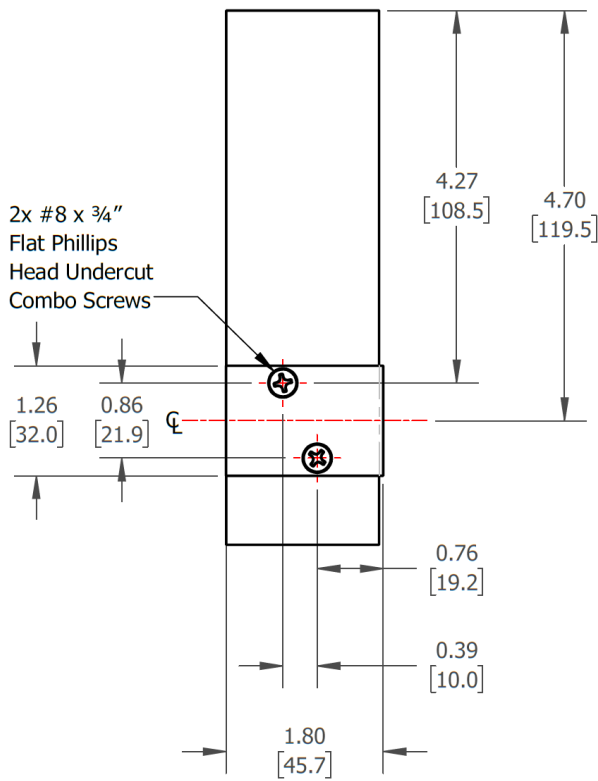
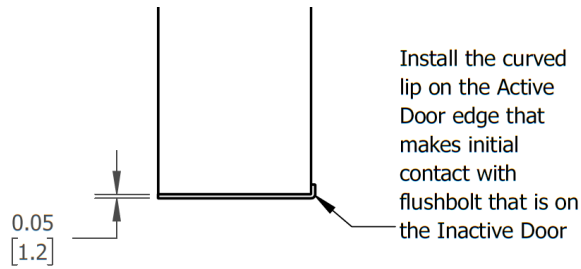


Figure 2: Active Door Strike

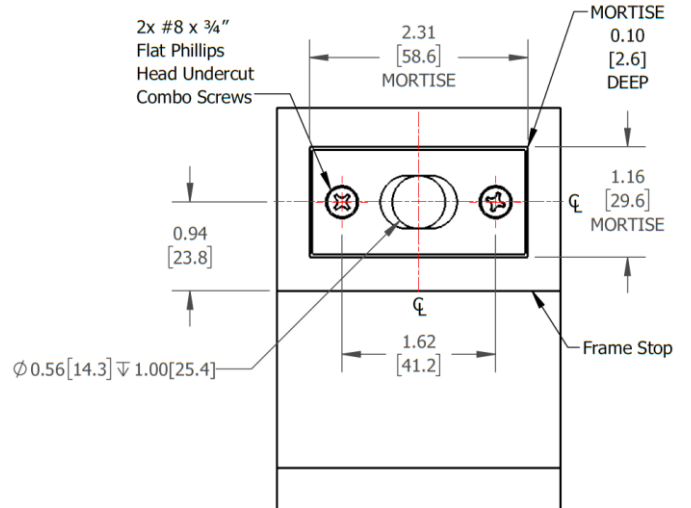


Figure 3: Universal Automatic Flush Bolt Frame/Floor Strike

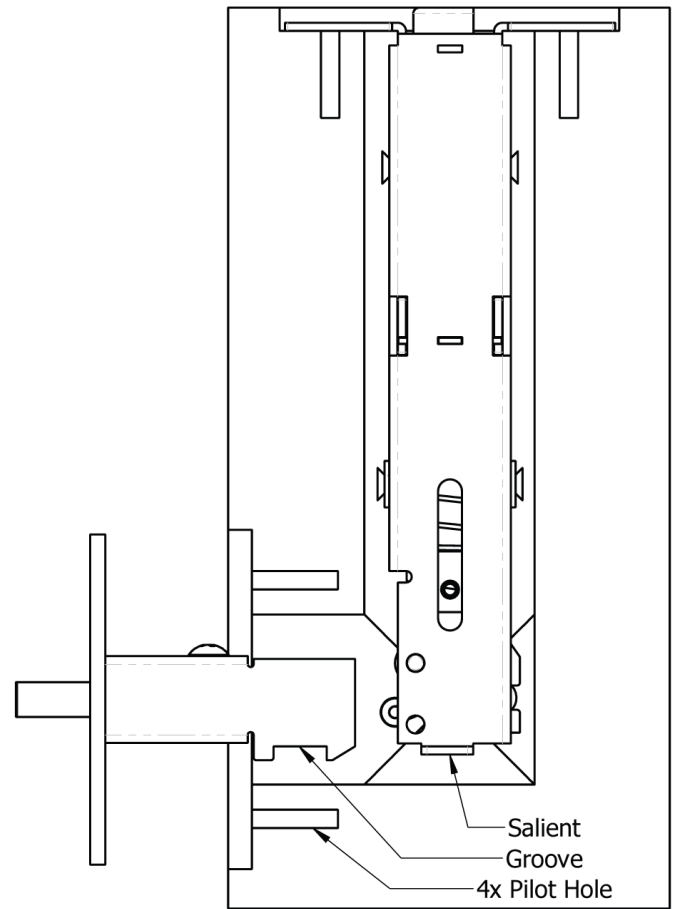


Figure 4