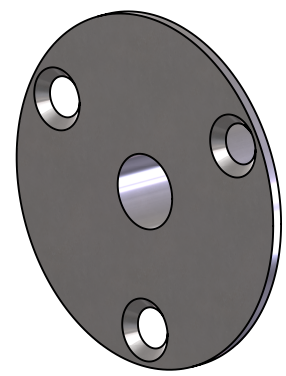
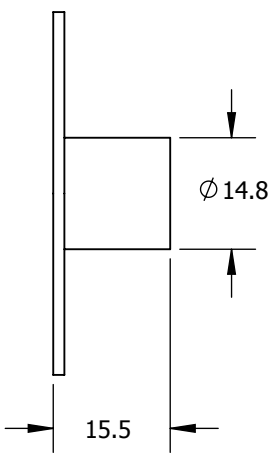
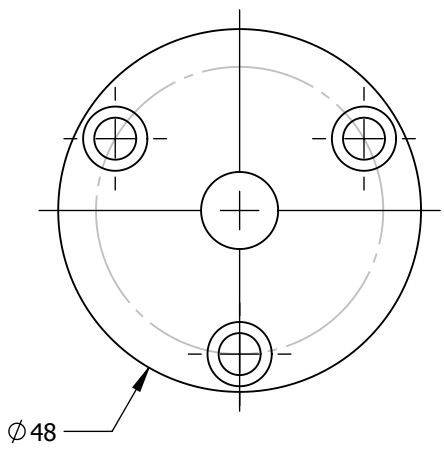


REV.	DESCRIPTION	DATE	APPROVED
------	-------------	------	----------



BAG CONTENTS	
DESCRIPTION	QTY
BOTTOM LATCH STRIKE	1
M4x21mm FLAT PHILLIPS HEAD WOOD SCREW	3
7mm CONCRETE ANCOR	3



HAGER RESERVES THE RIGHT TO MAKE DESIGN CHANGES WITHOUT NOTICE. CALL HAGER ENGINEERING AT 1-800-325-9995 FOR THE LATEST REVISION DATE OF TEMPLATE.

PRIMARY DIMENSIONS SHOWN IN MILLIMETERS, DIMENSIONS IN [ ] ARE INCHES.

DRAWN	DRS	11/21/2013
ENG. APPR.	-	-
MATERIAL	AISI 1020	
FINISH	-	
DO NOT SCALE DRAWING	TOLERANCES: FRACTIONAL: ±0.031" ANGULAR: MACH: ± 1° BEND: ±1° TWO PLACE DECIMAL: ±0.01" THREE PLACE DECIMAL: ±0.004"	

4200S SVR BOTTOM STRIKE BAG		REV.
SIZE	DWG. NO.	
<b>A</b>	S-ED01594	
SCALE: 1:1	WEIGHT: 29.40	SHEET 1 OF 1