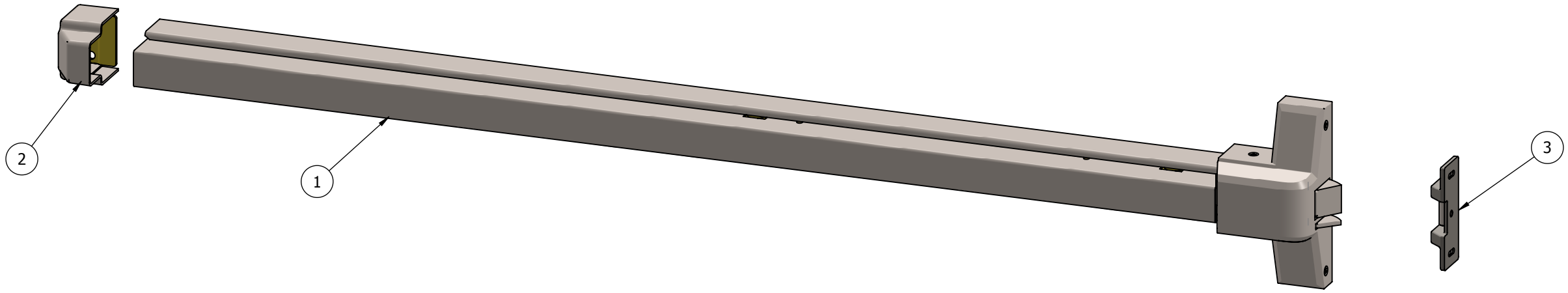



REV.	DESCRIPTION	ECO NO.	DATE
-	INITIAL CHECK IN	IM13002	11/22/2013
01	UPDATED TOP ROD LENGTH	-	7/29/2014

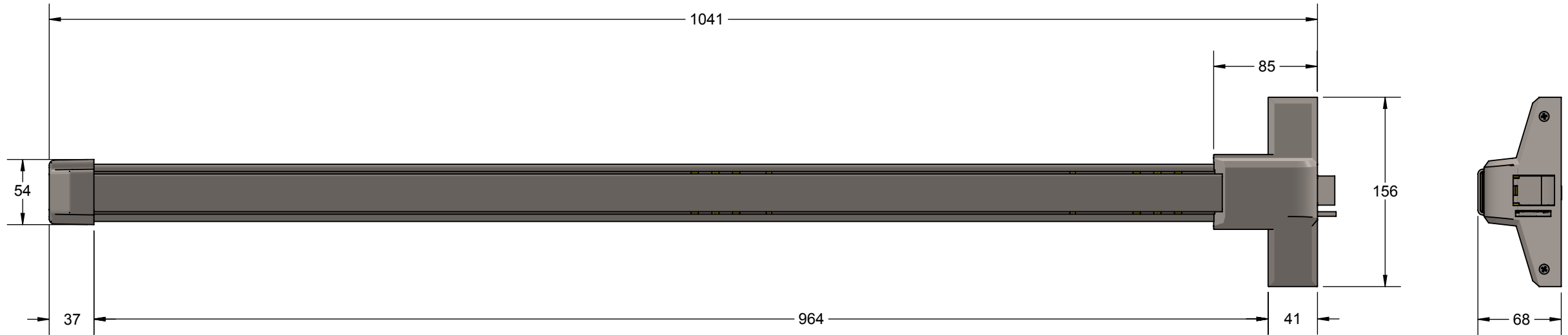



ITEM NO.	FILE NAME	DESCRIPTION	QTY
1	S-ED01578	4200 RIM EXIT DEVICE	1
2	S-ED01610	4200 EXIT DEVICE ENDCAP	1
3	S-ED01677	DOOR STRIKE	1
4	I-ED01625	INSTALLATION INSTRUCTIONS (NOT PICTURED)	1
5	T-ED01671	INSTALLATION TEMPLATE (NOT PICTURED)	1
6	N/A	MOUNTING HARDWARE BAG (NOT PICTURED)	1
6.1	N/A	M5-0.8x25mm ROUND HEAD MACHINE SCREW	6
6.2	N/A	M5-0.8x35mm THROUGH BOLT (7.5mm SLEEVE DIA.)	6
6.3	N/A	M5x25mm ROUND HEAD WOOD SCREW	6

 <b>PROPRIETARY &amp; CONFIDENTIAL</b> THE INFORMATION CONTAINED IN THIS DRAWING IS THE SOLE PROPERTY OF HAGER COMPANIES. ANY REPRODUCTION IN PART OR AS A WHOLE WITHOUT THE WRITTEN PERMISSION OF HAGER COMPANIES IS PROHIBITED.	HAGER RESERVES THE RIGHT TO MAKE DESIGN CHANGES WITHOUT NOTICE. CALL HAGER ENGINEERING AT 1-800-325-9995 FOR THE LATEST REVISION DATE OF TEMPLATE.	DRAWN	DRS	11/18/2013	<b>4200R EL EXIT DEVICE RIM ASSEMBLY</b>	
		ENG. APPR.				
		MATERIAL	-	Q.A.		
		FINISH	US32D/ALM	TOLERANCES: FRACTIONAL: ±0.015" ANGULAR: MACH: ±1° BEND: ±1° TWO PLACE DECIMAL: ±0.01" THREE PLACE DECIMAL: ±0.004"		SIZE
DO NOT SCALE DRAWING				<b>B</b>	S-ED01674	<b>01</b>
		SCALE:1:4		WEIGHT:		SHEET 1 OF 3

REV.	DESCRIPTION	ECO NO.	DATE
------	-------------	---------	------

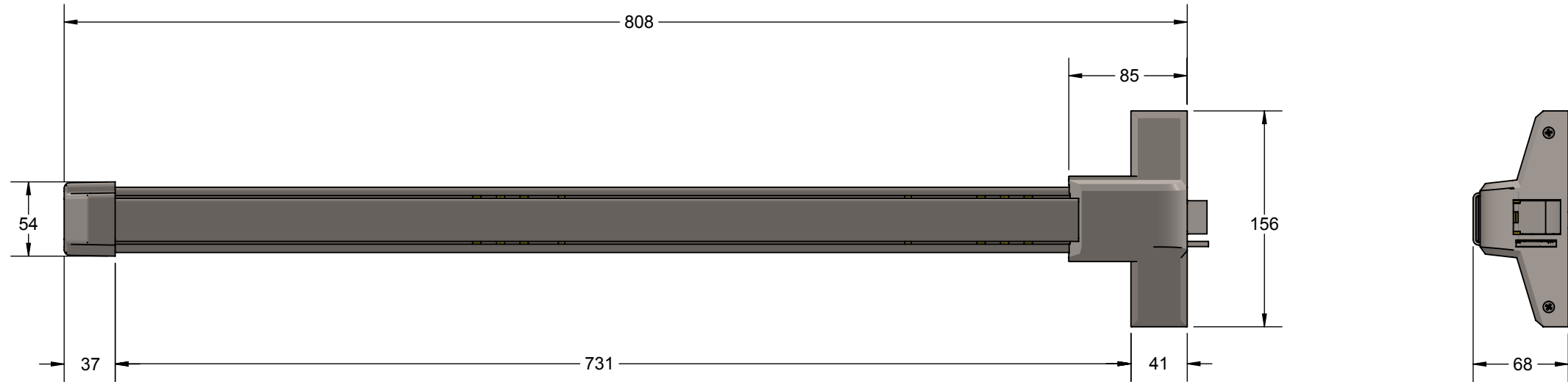
NOTE:  
 4' DEVICE SHOWN  
 DEVICE MAY BE CUT DOWN TO A SHORTER LENGTH IN FIELD




 <b>PROPRIETARY &amp; CONFIDENTIAL</b> THE INFORMATION CONTAINED IN THIS DRAWING IS THE SOLE PROPERTY OF HAGER COMPANIES. ANY REPRODUCTION IN PART OR AS A WHOLE WITHOUT THE WRITTEN PERMISSION OF HAGER COMPANIES IS PROHIBITED.	HAGER RESERVES THE RIGHT TO MAKE DESIGN CHANGES WITHOUT NOTICE. CALL HAGER ENGINEERING AT 1-800-325-9995 FOR THE LATEST REVISION DATE OF TEMPLATE.	DRAWN	DRS	11/18/2013	<b>4200R</b> <b>EL EXIT DEVICE RIM ASSEMBLY</b>	
		ENG. APPR.				
		MATERIAL	-	Q.A.		
		FINISH	US32D/ALM	TOLERANCES: FRACTIONAL: $\pm 0.015''$ ANGULAR: MACH: $\pm 1^\circ$ BEND: $\pm 1^\circ$ TWO PLACE DECIMAL: $\pm 0.01''$ THREE PLACE DECIMAL: $\pm 0.004''$		
DO NOT SCALE DRAWING		SIZE	DWG. NO.		REV.	
		<b>B</b>	S-ED01674		<b>01</b>	
		SCALE: 1:4	WEIGHT:		SHEET 2 OF 3	

NOTE:  
3' DEVICE SHOWN

REV.	DESCRIPTION	ECO NO.	DATE
------	-------------	---------	------



 <p><b>PROPRIETARY &amp; CONFIDENTIAL</b> THE INFORMATION CONTAINED IN THIS DRAWING IS THE SOLE PROPERTY OF HAGER COMPANIES. ANY REPRODUCTION IN PART OR AS A WHOLE WITHOUT THE WRITTEN PERMISSION OF HAGER COMPANIES IS PROHIBITED.</p>	<p>HAGER RESERVES THE RIGHT TO MAKE DESIGN CHANGES WITHOUT NOTICE. CALL HAGER ENGINEERING AT 1-800-325-9995 FOR THE LATEST REVISION DATE OF TEMPLATE.</p>	DRAWN	DRS	11/18/2013	<p><b>4200R</b> <b>EL EXIT DEVICE RIM ASSEMBLY</b></p>				
		ENG. APPR.							
		MATERIAL	-	Q.A.			SIZE	DWG. NO.	REV.
		FINISH	US32D/ALM	<p>TOLERANCES: FRACTIONAL: <math>\pm 0.015"</math> ANGULAR: MACH: <math>\pm 1^\circ</math> BEND: <math>\pm 1^\circ</math> TWO PLACE DECIMAL: <math>\pm 0.01"</math> THREE PLACE DECIMAL: <math>\pm 0.004"</math></p>			<b>B</b>	<b>S-ED01674</b>	<b>01</b>
DO NOT SCALE DRAWING					SCALE: 1:4	WEIGHT:	SHEET 3 OF 3		