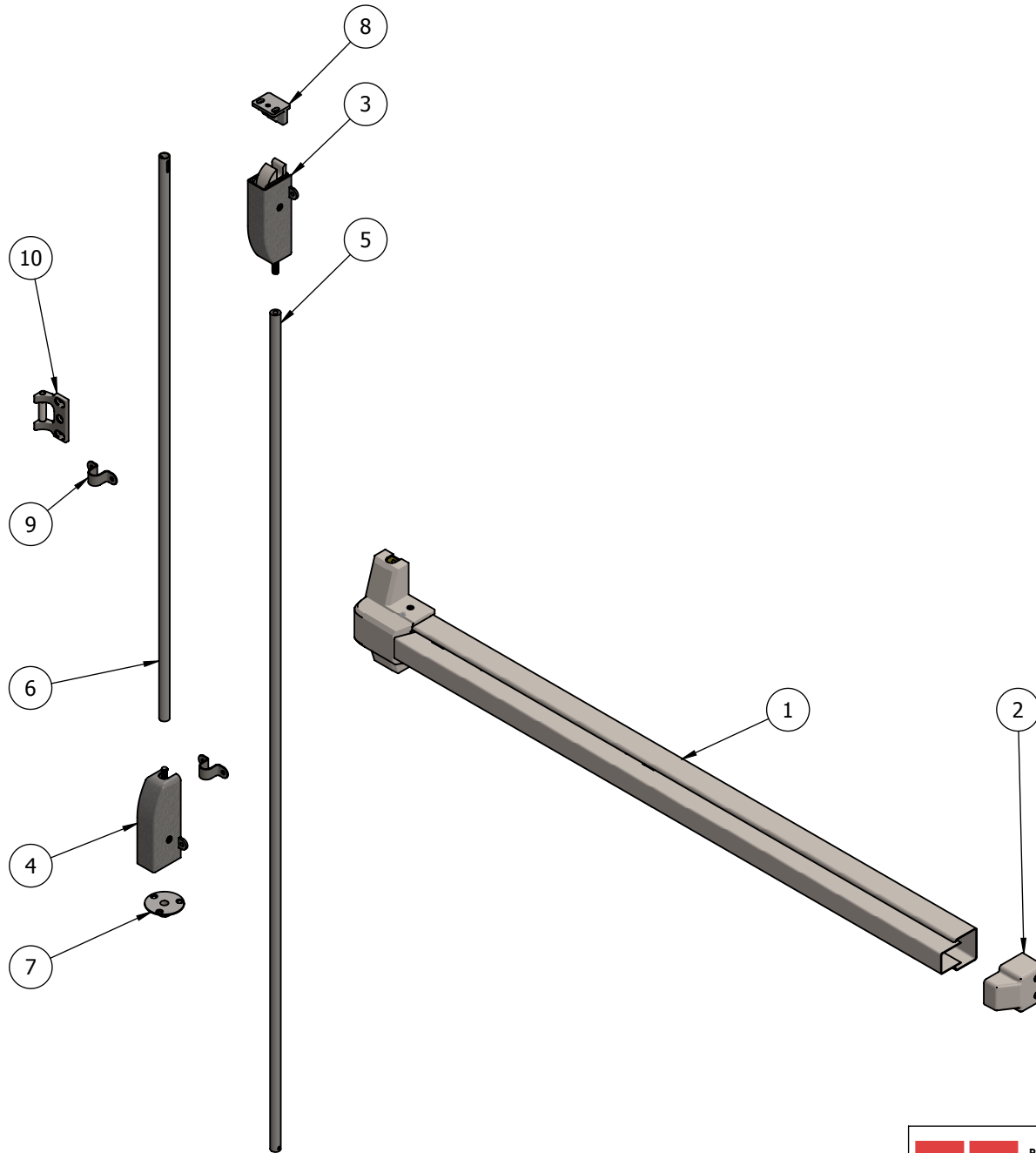

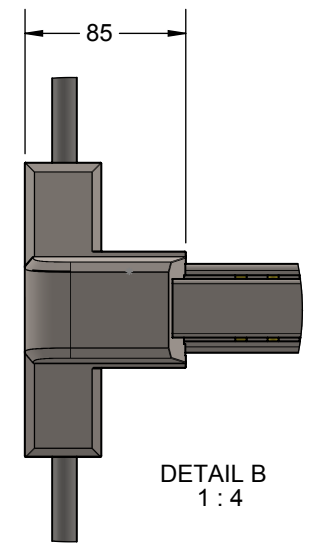
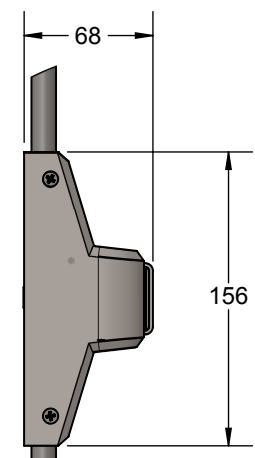
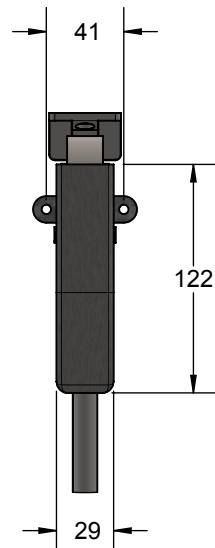
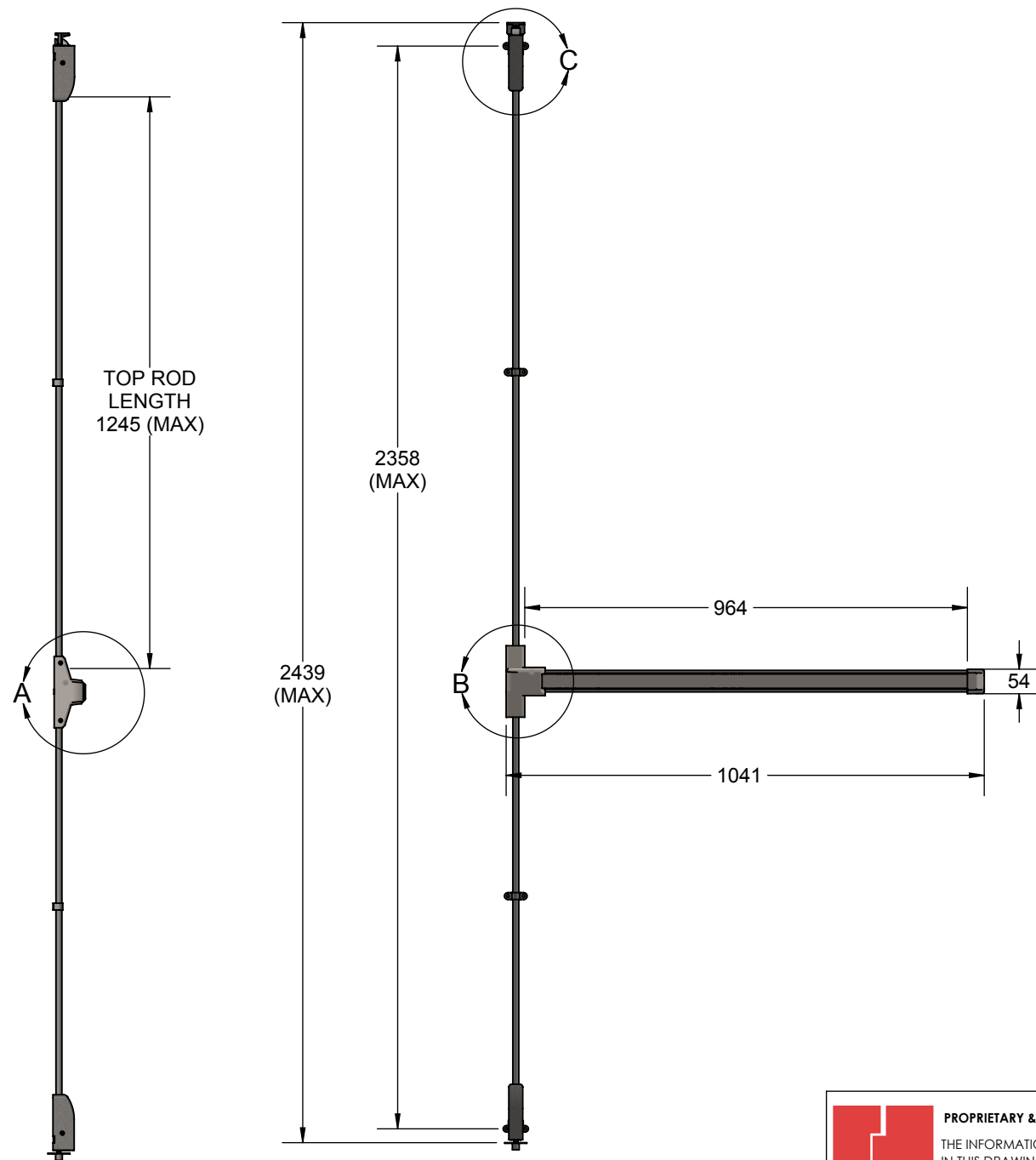


REV.	DESCRIPTION	ECO NO.	DATE
-	Updated Exit Width Dimension	IM13002	11/22/2013
01	UPDATED TOP RODE LENGTH	-	7/29/2014
02	UPDATED MOUNTING HARDWARE BAG QTY	-	10/27/2014




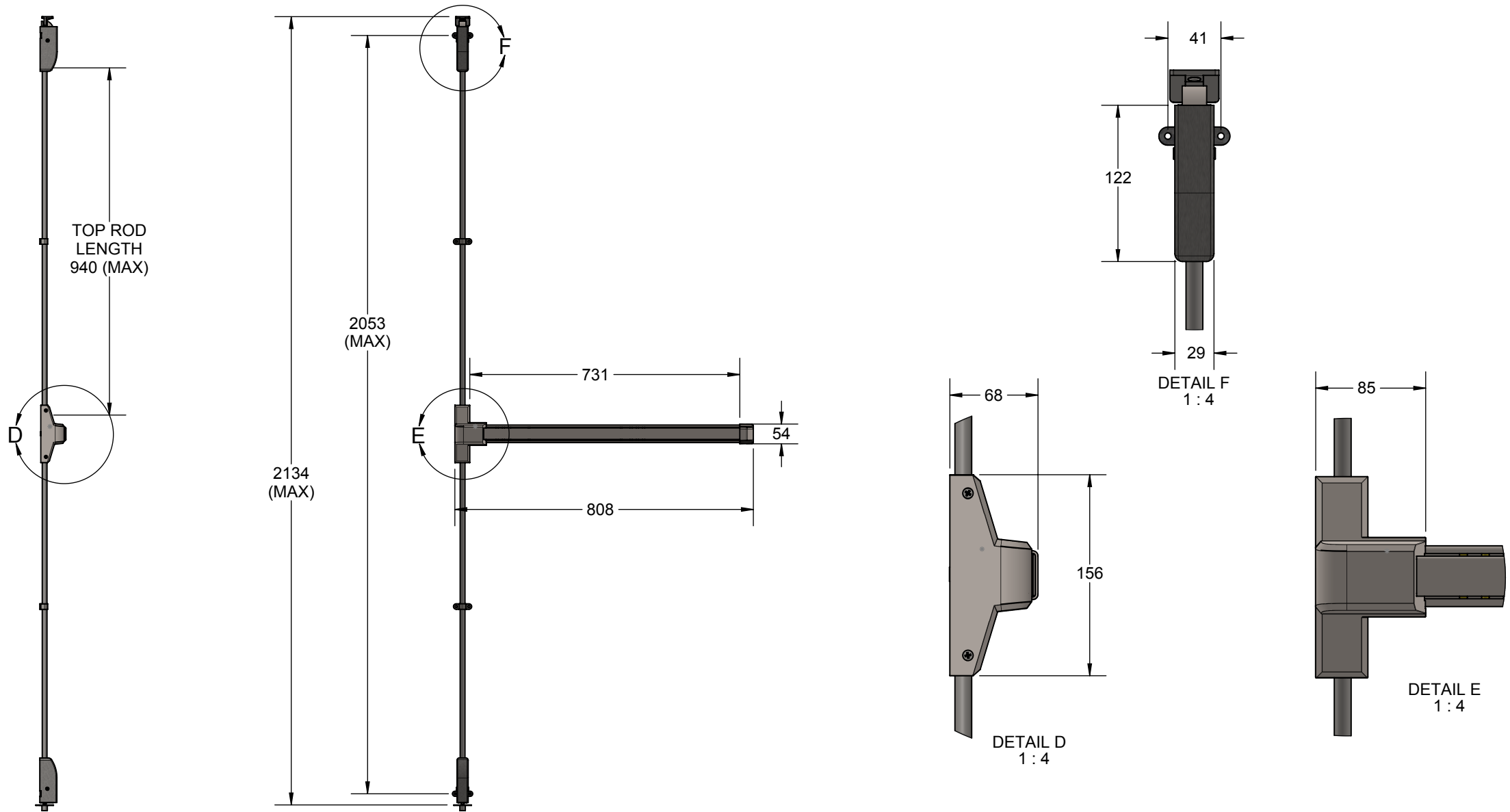
ITEM NO.	FILE NAME	DESCRIPTION	QTY
1	S-ED01578	4200 SVR EXIT DEVICE	1
2	S-ED01610	4200 EXIT DEVICE ENDCAP	1
3	S-ED01577	4200S TOP LATCH	1
4	S-ED01577	4200S BOTTOM LATCH	1
5	S-ED01587	SVR TOP ROD	1
6	S-ED01587	SVR BOTTOM ROD	1
7	S-ED01594	SVR BOTTOM STRIKE BAG	1
8	S-ED01588	TOP LATCH STRIKE BAG	1
9	S-ED01600	ROD GUIDES BAG	1
10	S-ED01678	DOUBLE DOOR STRIKE	1
11	I-ED01625	INSTALLATION INSTRUCTION (NOT PICTURED)	1
12	T-ED01672	INSTALLATION TEMPLATE (NOT PICTURED)	1
13	N/A	DEVICE MOUNTING HARDWARE BAG (NOT PICTURED)	1
13.1	N/A	M5-0.8x25mm ROUND HEAD MACHINE SCREW	12
13.2	N/A	M5-0.8x35mm THROUGH BOLT (7.5mm SLEEVE DIA.)	12
13.3	N/A	M5x25mm FLAT HEAD WOOD SCREW	12

 <p>PROPRIETARY & CONFIDENTIAL THE INFORMATION CONTAINED IN THIS DRAWING IS THE SOLE PROPERTY OF HAGER COMPANIES. ANY REPRODUCTION IN PART OR AS A WHOLE WITHOUT THE WRITTEN PERMISSION OF HAGER COMPANIES IS PROHIBITED.</p>	<p>HAGER RESERVES THE RIGHT TO MAKE DESIGN CHANGES WITHOUT NOTICE. CALL HAGER ENGINEERING AT 1-800-325-9995 FOR THE LATEST REVISION DATE OF TEMPLATE.</p>	DRAWN	DRS	11/18/2013	<p align="center">4200S EL EXIT DEVICE SVR ASSEMBLY</p>			
		ENG. APPR.						
		MATERIAL	-	Q.A.			SIZE	DWG. NO.
		FINISH	US32D/ALM	TOLERANCES:		FRACTIONAL: ±0.015"	<p align="center">B</p>	<p align="center">S-ED01675</p>
DO NOT SCALE DRAWING		FRACTIONAL: ±0.015" ANGULAR: MACH: ±1° BEND: ±1° TWO PLACE DECIMAL: ±0.01" THREE PLACE DECIMAL: ±0.004"		REV.	02			
		SCALE: 1:8	WEIGHT:		SHEET 1 OF 3			



NOTE:
 DEVICE SHOWN FOR 4'X8' DOORS
 DEVICE AND TOP ROD MAY BE CUT DOWN TO SHORTER LENGTH IN FIELD

 PROPRIETARY & CONFIDENTIAL THE INFORMATION CONTAINED IN THIS DRAWING IS THE SOLE PROPERTY OF HAGER COMPANIES. ANY REPRODUCTION IN PART OR AS A WHOLE WITHOUT THE WRITTEN PERMISSION OF HAGER COMPANIES IS PROHIBITED.	HAGER RESERVES THE RIGHT TO MAKE DESIGN CHANGES WITHOUT NOTICE. CALL HAGER ENGINEERING AT 1-800-325-9995 FOR THE LATEST REVISION DATE OF TEMPLATE.			DRAWN	DRS	11/18/2013	4200S EL EXIT DEVICE SVR ASSEMBLY	
	MATERIAL			ENG. APPR.				
	FINISH			Q.A.			B	S-ED01675
	DO NOT SCALE DRAWING			TOLERANCES: FRACTIONAL: ±0.015" ANGULAR: MACH: ±1° BEND: ±1° TWO PLACE DECIMAL: ±0.01" THREE PLACE DECIMAL: ±0.004"			SCALE: 1:14	WEIGHT:
							REV.	02
							SHEET 2 OF 3	



NOTE:
DEVICE SHOWN FOR 3'X7' DOORS



PROPRIETARY & CONFIDENTIAL
THE INFORMATION CONTAINED
IN THIS DRAWING IS THE SOLE
PROPERTY OF HAGER
COMPANIES. ANY REPRODUCTION
IN PART OR AS A WHOLE WITHOUT
THE WRITTEN PERMISSION OF
HAGER COMPANIES IS PROHIBITED.

HAGER RESERVES
THE RIGHT TO
MAKE DESIGN
CHANGES
WITHOUT NOTICE.
CALL HAGER
ENGINEERING AT
1-800-325-9995
FOR THE LATEST
REVISION DATE
OF TEMPLATE.

MATERIAL	-
FINISH	US32D/ALM
DO NOT SCALE DRAWING	

DRAWN	DRS	11/18/2013
ENG. APPR.		
Q.A.		
TOLERANCES:		
FRACTIONAL: ±0.015"		
ANGULAR: MACH: ±1° BEND: ±1°		
TWO PLACE DECIMAL: ±0.01"		
THREE PLACE DECIMAL: ±0.004"		

4200S
EL EXIT DEVICE SVR ASSEMBLY

SIZE	DWG. NO.	REV.
B	S-ED01675	02
SCALE: 1:14	WEIGHT:	SHEET 3 OF 3