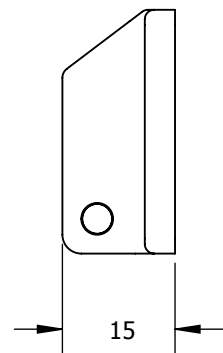
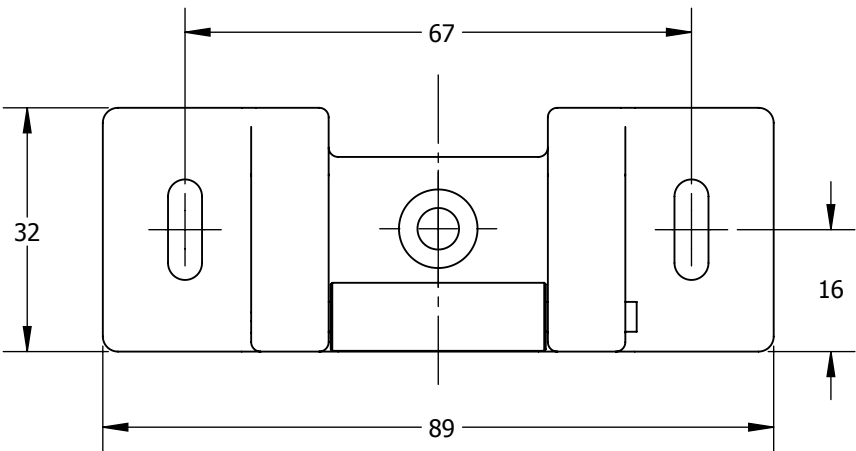
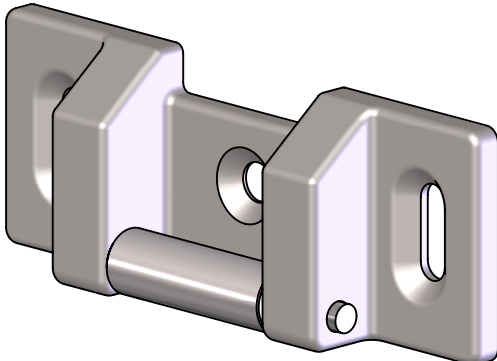


REV.	DESCRIPTION	DATE	APPROVED
------	-------------	------	----------



Note: All contents sealed in Polybag.

BAG CONTENTS	
DESCRIPTION	QTY
RIM DOOR STRIKE	1
M5-0.8x12mm FLAT PHILLIPS HEAD MACHINE SCREW	3
M5X25mm FLAT PHILLIPS HEAD WOOD SCREW	3



HAGER RESERVES THE RIGHT TO MAKE DESIGN CHANGES WITHOUT NOTICE. CALL HAGER ENGINEERING AT 1-800-325-9995 FOR THE LATEST REVISION DATE OF TEMPLATE.

PRIMARY DIMENSIONS SHOWN IN MILLIMETERS, DIMENSIONS IN [ ] ARE INCHES.

	DRAWN	DRS	11/21/2013
	ENG. APPR.	-	-
MATERIAL	STAINLESS STEEL		
FINISH	-		
DO NOT SCALE DRAWING	TOLERANCES: FRACTIONAL: ±0.031" ANGULAR: MACH: ± 1° BEND: ±1° TWO PLACE DECIMAL: ±0.01" THREE PLACE DECIMAL: ±0.004"		

4200R DOOR STRIKE BAG	
SIZE	DWG. NO.
<b>A</b>	S-ED01677
SCALE: 1:1	WEIGHT: 32.34
REV.	
SHEET 1 OF 1	