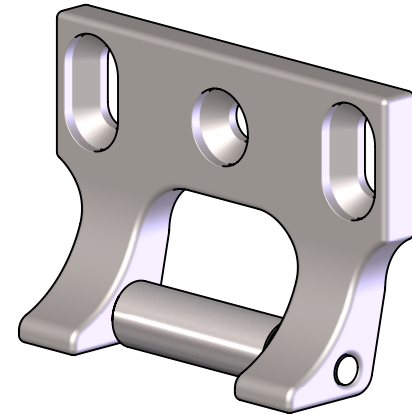
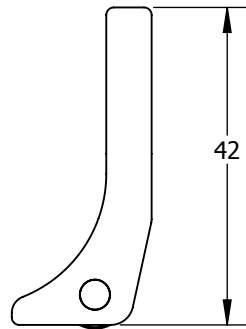
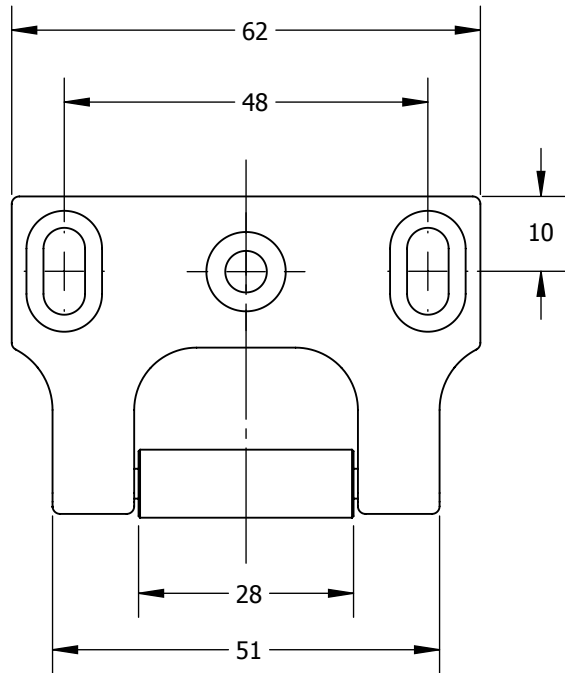


REV.	DESCRIPTION	DATE	APPROVED
------	-------------	------	----------



Note: All contents sealed in Polybag.

BAG CONTENTS	
DESCRIPTION	QTY
RIM & SVR DOUBLE DOOR STRIKE	1
M5-0.8x12mm FLAT PHILLIPS HEAD MACHINE SCREW	3
M5X25mm FLAT PHILLIPS HEAD WOOD SCREW	3



HAGER RESERVES THE RIGHT TO MAKE DESIGN CHANGES WITHOUT NOTICE. CALL HAGER ENGINEERING AT 1-800-325-9995 FOR THE LATEST REVISION DATE OF TEMPLATE.

PRIMARY DIMENSIONS SHOWN IN MILLIMETERS, DIMENSIONS IN [ ] ARE INCHES.

MATERIAL	STAINLESS STEEL	DRAWN	DRS	11/21/2013	4200S DOUBLE DOOR STRIKE BAG		
FINISH	-	ENG. APPR.	-	-			
DO NOT SCALE DRAWING		Q.A.					
		TOLERANCES: FRACTIONAL: $\pm 0.031''$ ANGULAR: MACH: $\pm 1^\circ$ BEND: $\pm 1^\circ$ TWO PLACE DECIMAL: $\pm 0.01''$ THREE PLACE DECIMAL: $\pm 0.004''$			SIZE	DWG. NO.	REV.
					A	S-ED01678	
					SCALE: 1:1	WEIGHT: 27.71	SHEET 1 OF 1