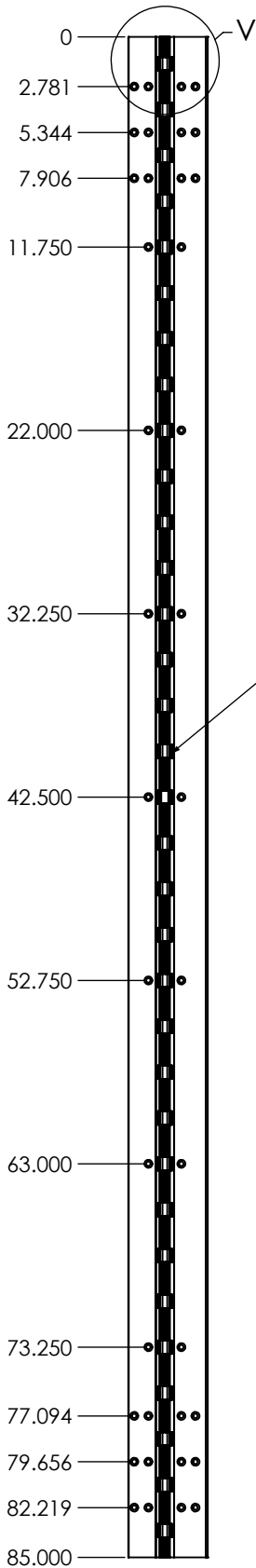
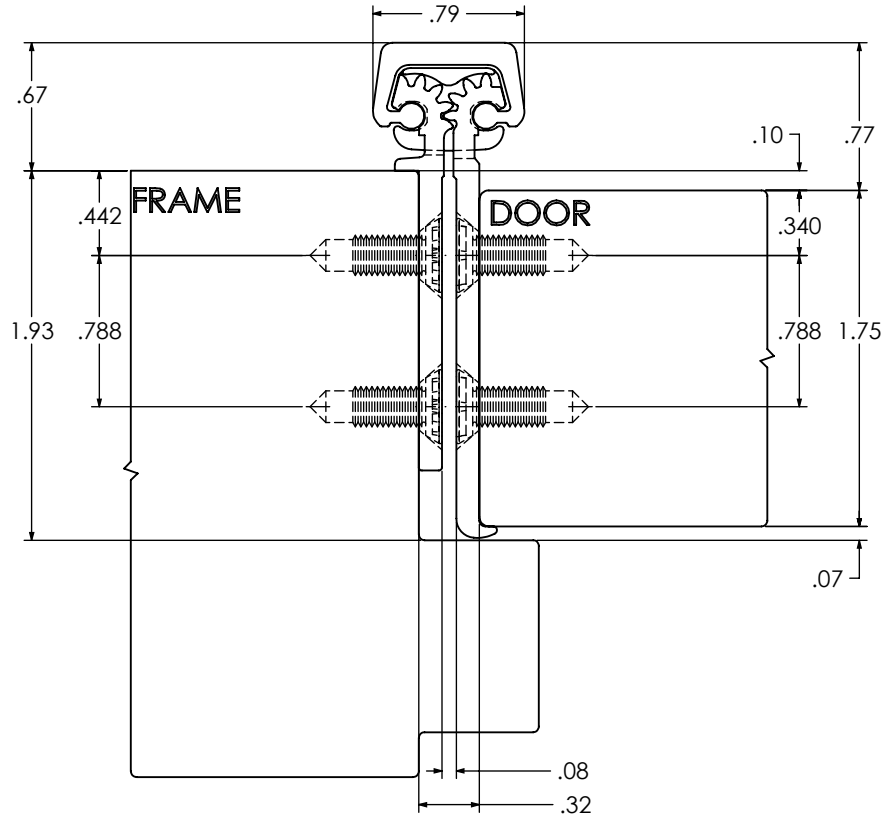


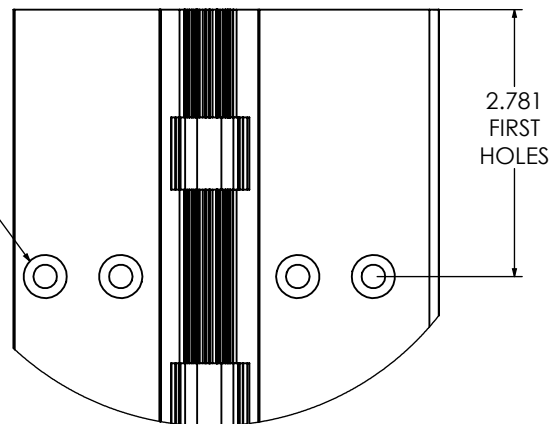
TEMPLATE FOR FULL MORTISE CONTINUOUS GEARED ALUMINUM HINGE



BEARINGS  
33 PLACES



#12 FLAT  
HEAD SCREW  
38 PLACES



DETAIL V  
SCALE 1 : 2