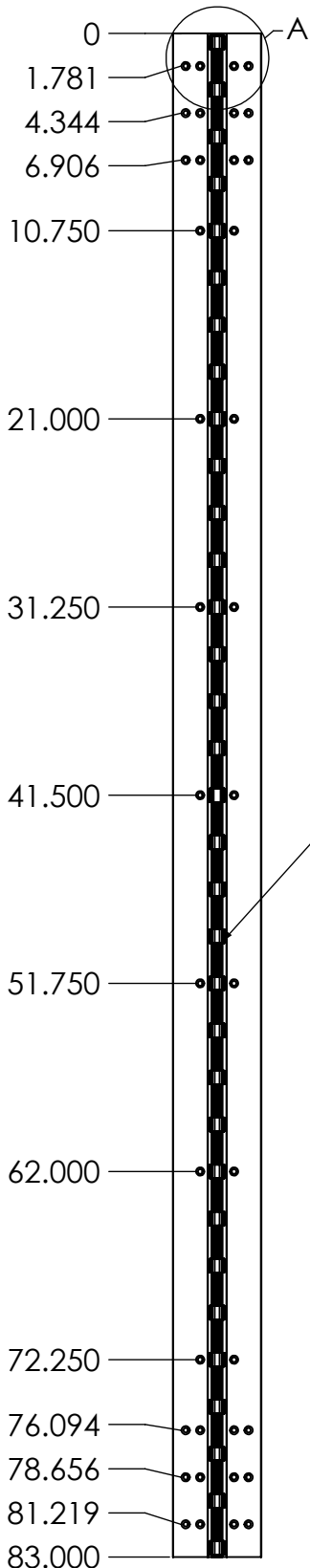
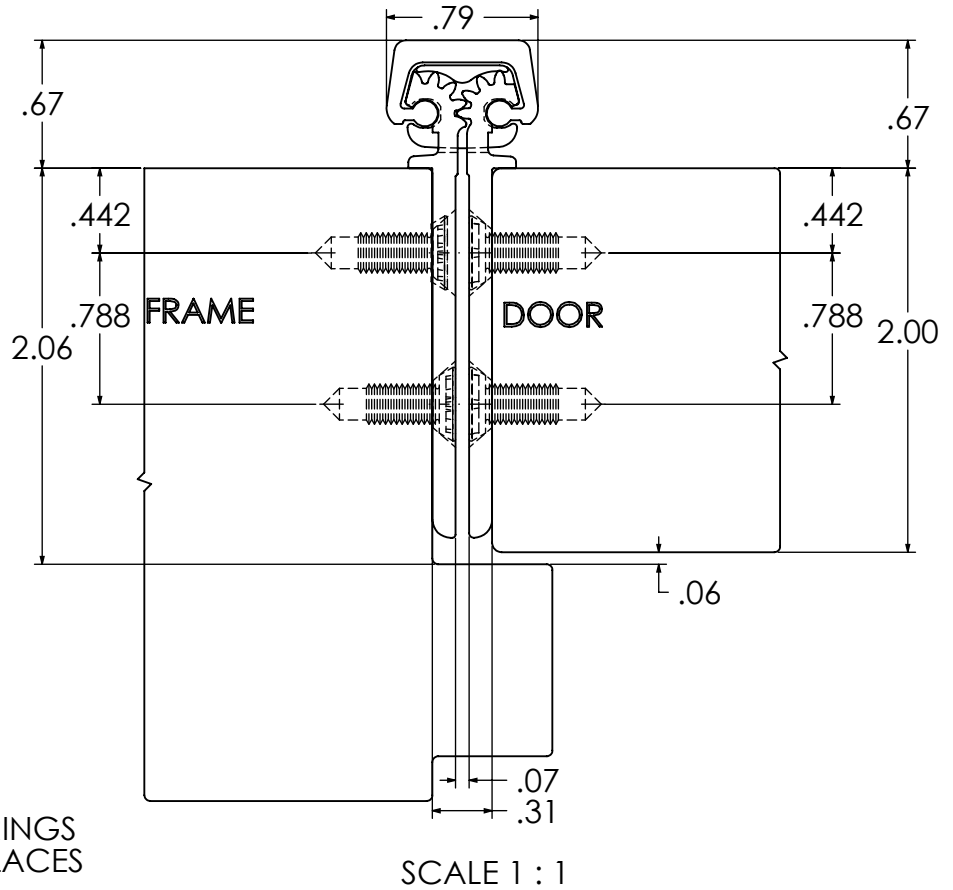


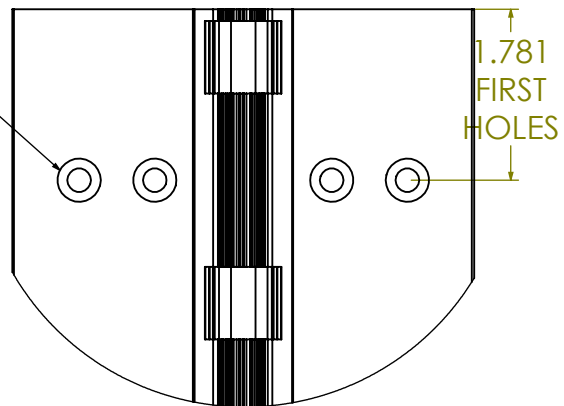
TEMPLATE FOR FULL MORTISE CONTINUOUS GEARED ALUMINUM HINGE



BEARINGS
33 PLACES



#12 FLAT
HEAD SCREW
38 PLACES



DETAIL A
SCALE 1 : 2