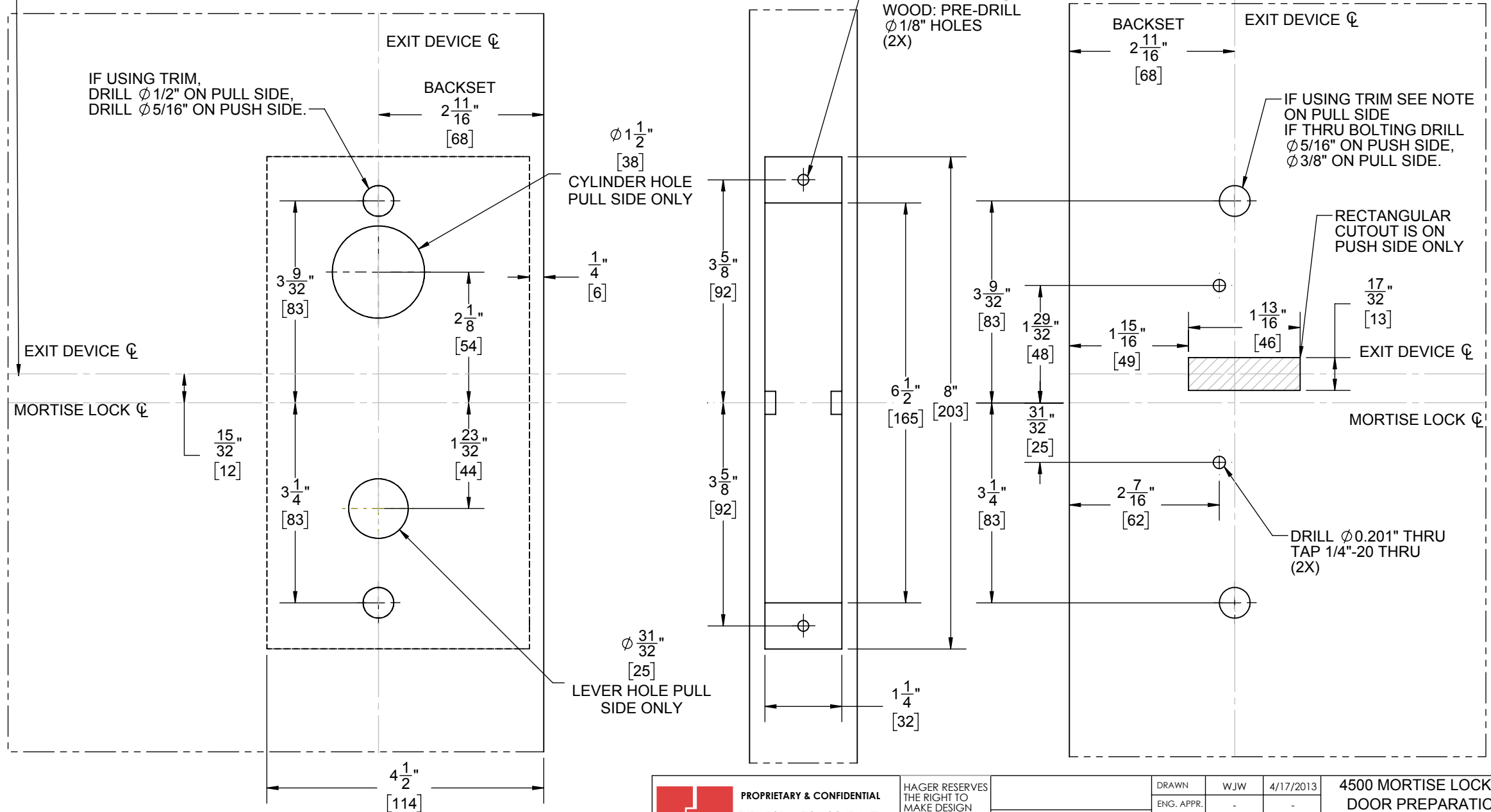


REV.	DESCRIPTION	ECO NO.	DATE
05			6/12/2018

HORIZONTAL EXIT \varnothing IS RECOMMENDED AS 40" OFF OF FINISHED FLOOR.
THIS MAY BE DETERMINED BY DESIGN SPEC'S.



MORTISE DOOR PREPARATION PER ASTM/BHMA A156.115-2006. THIS PREPARATION IS SHOWN FOR A SQUARE EDGE DOOR.



PROPRIETARY & CONFIDENTIAL

THE INFORMATION CONTAINED IN THIS DRAWING IS THE SOLE PROPERTY OF HAGER COMPANIES. ANY REPRODUCTION IN PART OR AS A WHOLE WITHOUT THE WRITTEN PERMISSION OF HAGER COMPANIES IS PROHIBITED.

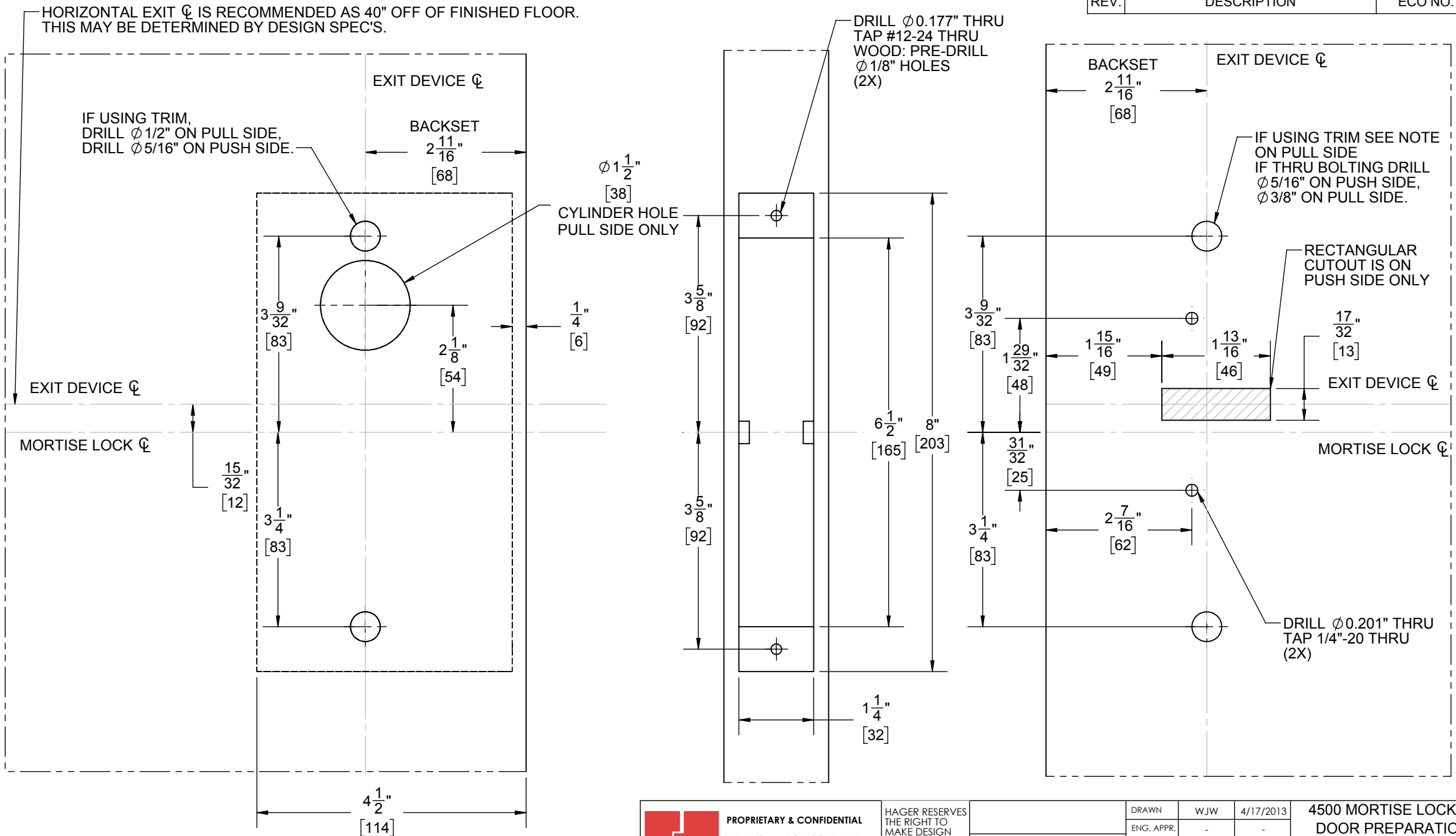
HAGER RESERVES THE RIGHT TO MAKE DESIGN CHANGES WITHOUT NOTICE. CALL HAGER ENGINEERING AT 1-800-325-9995 FOR THE LATEST REVISION DATE OF TEMPLATE.

MATERIAL	Material <not specified>
FINISH	-
DO NOT SCALE DRAWING	

DRAWN	WJW	4/17/2013
ENG. APPR.	-	-
Q.A.		
TOLERANCES:		
FRACTIONAL: $\pm 0.015"$		
ANGULAR: MACH: $\pm 1^\circ$ BEND: $\pm 1^\circ$		
TWO PLACE DECIMAL: $\pm 0.01"$		
THREE PLACE DECIMAL: $\pm 0.004"$		

4500 MORTISE LOCK EXIT DEVICE DOOR PREPARATION DRAWING 45MC (CE FUNCTION)		REV.	5
SIZE	DWG. NO.	S-ED01546	
B			
SCALE: 1:1	WEIGHT: 99.62	SHEET 1 OF 5	

REV.	DESCRIPTION	ECO NO.	DATE
------	-------------	---------	------



MORTISE DOOR PREPARATION PER ASTM/BHMA A156.115-2006. THIS PREPARATION IS SHOWN FOR A SQUARE EDGE DOOR.



PROPRIETARY & CONFIDENTIAL

THE INFORMATION CONTAINED IN THIS DRAWING IS THE SOLE PROPERTY OF HAGER COMPANIES. ANY REPRODUCTION IN PART OR AS A WHOLE WITHOUT THE WRITTEN PERMISSION OF HAGER COMPANIES IS PROHIBITED.

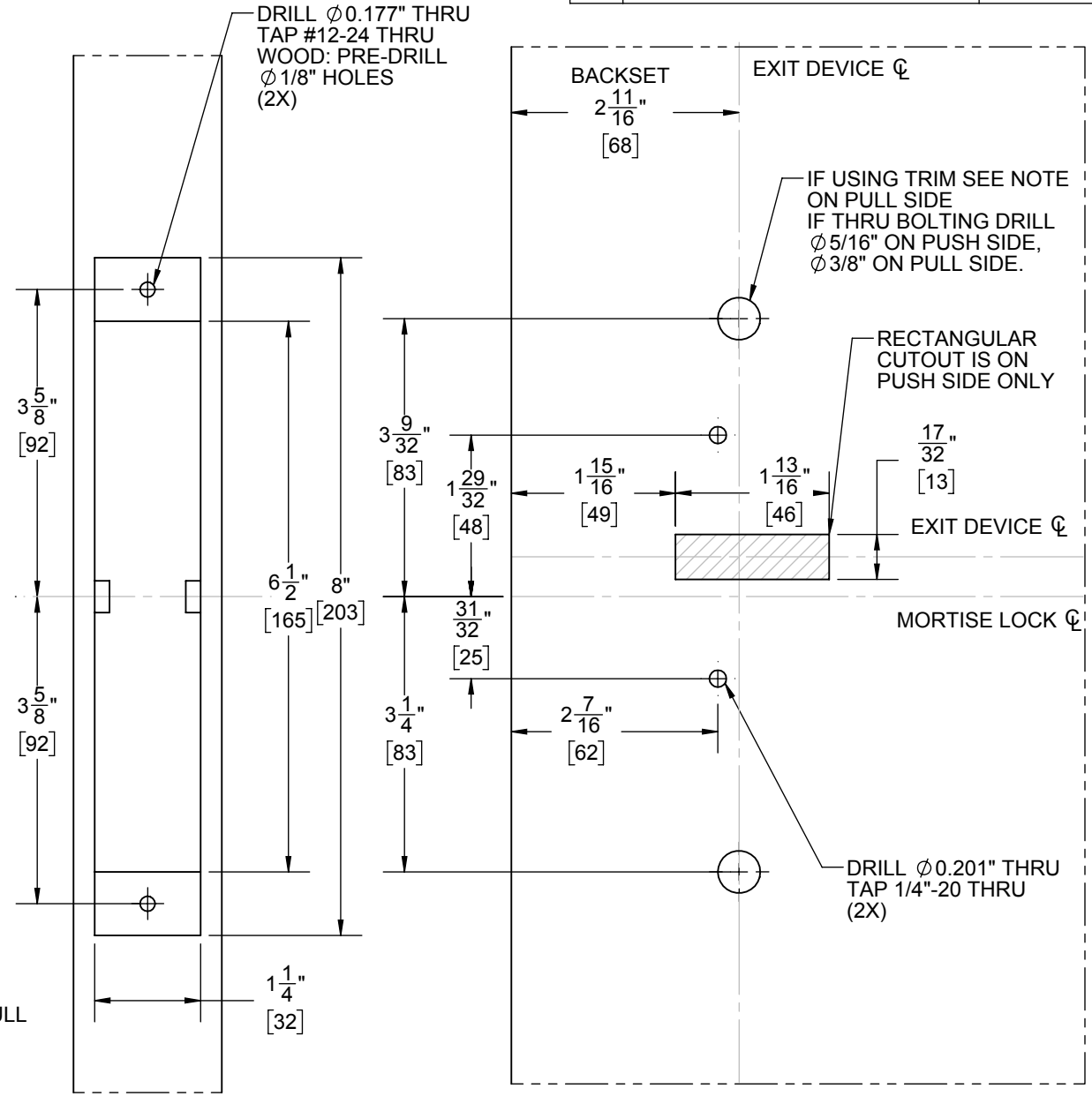
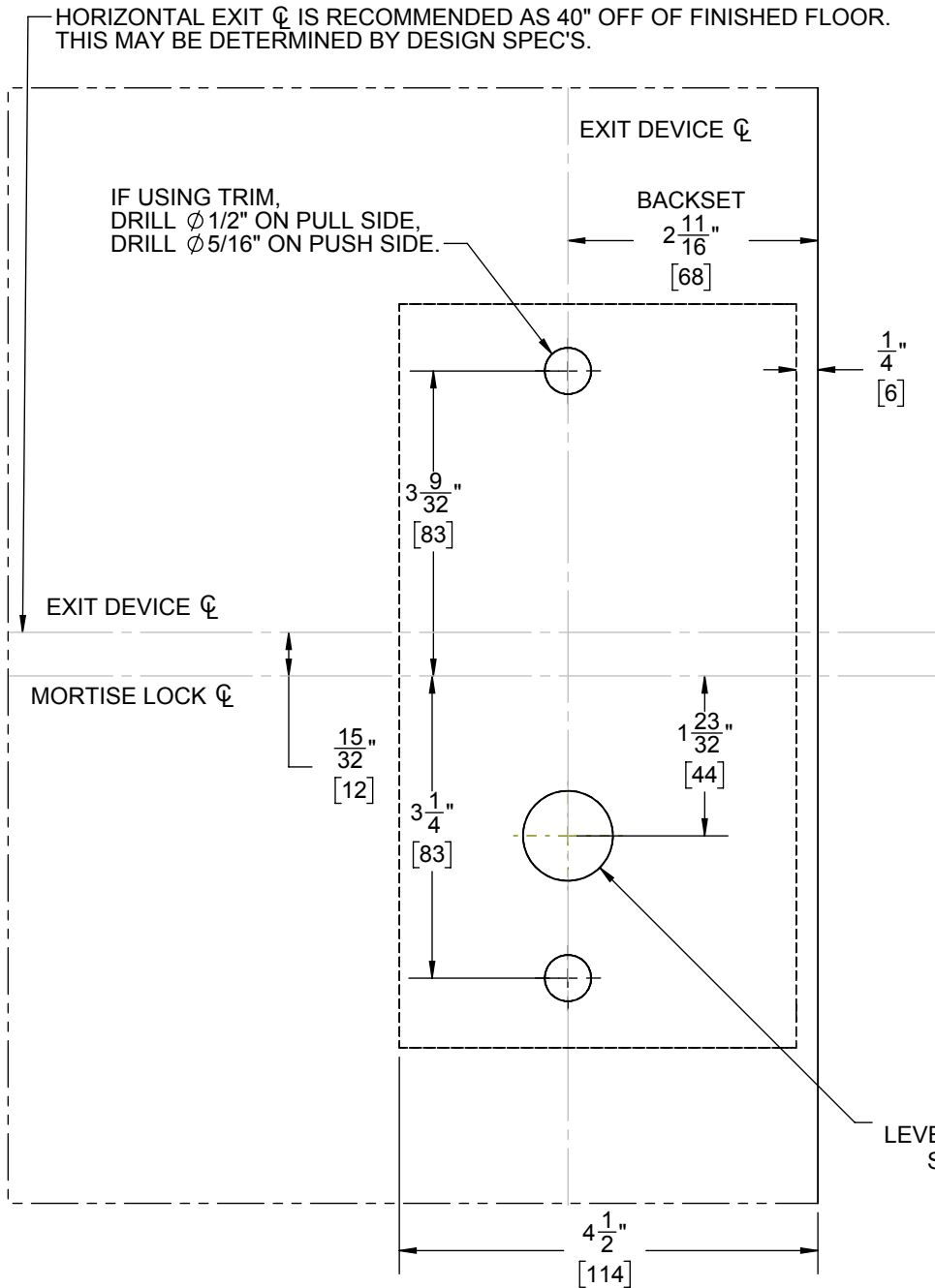
HAGER RESERVES THE RIGHT TO MAKE DESIGN CHANGES WITHOUT NOTICE. CALL HAGER ENGINEERING AT 1-800-325-9995 FOR THE LATEST REVISION DATE OF TEMPLATE.

MATERIAL	Material <not specified>
FINISH	-
DO NOT SCALE DRAWING	

DRAWN	WJW	4/17/2013
ENG. APPR.	-	-
Q.A.		
TOLERANCES:		
FRACTIONAL: $\pm 0.015"$		
ANGULAR: MACH: $\pm 1^\circ$ BEND: $\pm 1^\circ$		
TWO PLACE DECIMAL: $\pm 0.01"$		
THREE PLACE DECIMAL: $\pm 0.004"$		

4500 MORTISE LOCK EXIT DEVICE DOOR PREPARATION DRAWING 45MN (NL FUNCTION)		
SIZE	DWG. NO.	REV.
B	S-ED01546	5
SCALE: 1:1	WEIGHT: 99.63	SHEET 2 OF 5

REV.	DESCRIPTION	ECO NO.	DATE
------	-------------	---------	------



MORTISE DOOR PREPARATION PER ASTM/BHMA A156.115-2006. THIS PREPARATION IS SHOWN FOR A SQUARE EDGE DOOR.

HAGER COMPANIES
ST. LOUIS, MISSOURI

PROPRIETARY & CONFIDENTIAL

THE INFORMATION CONTAINED IN THIS DRAWING IS THE SOLE PROPERTY OF HAGER COMPANIES. ANY REPRODUCTION IN PART OR AS A WHOLE WITHOUT THE WRITTEN PERMISSION OF HAGER COMPANIES IS PROHIBITED.

HAGER RESERVES THE RIGHT TO MAKE DESIGN CHANGES WITHOUT NOTICE. CALL HAGER ENGINEERING AT 1-800-325-9995 FOR THE LATEST REVISION DATE OF TEMPLATE.

MATERIAL: Material <not specified>

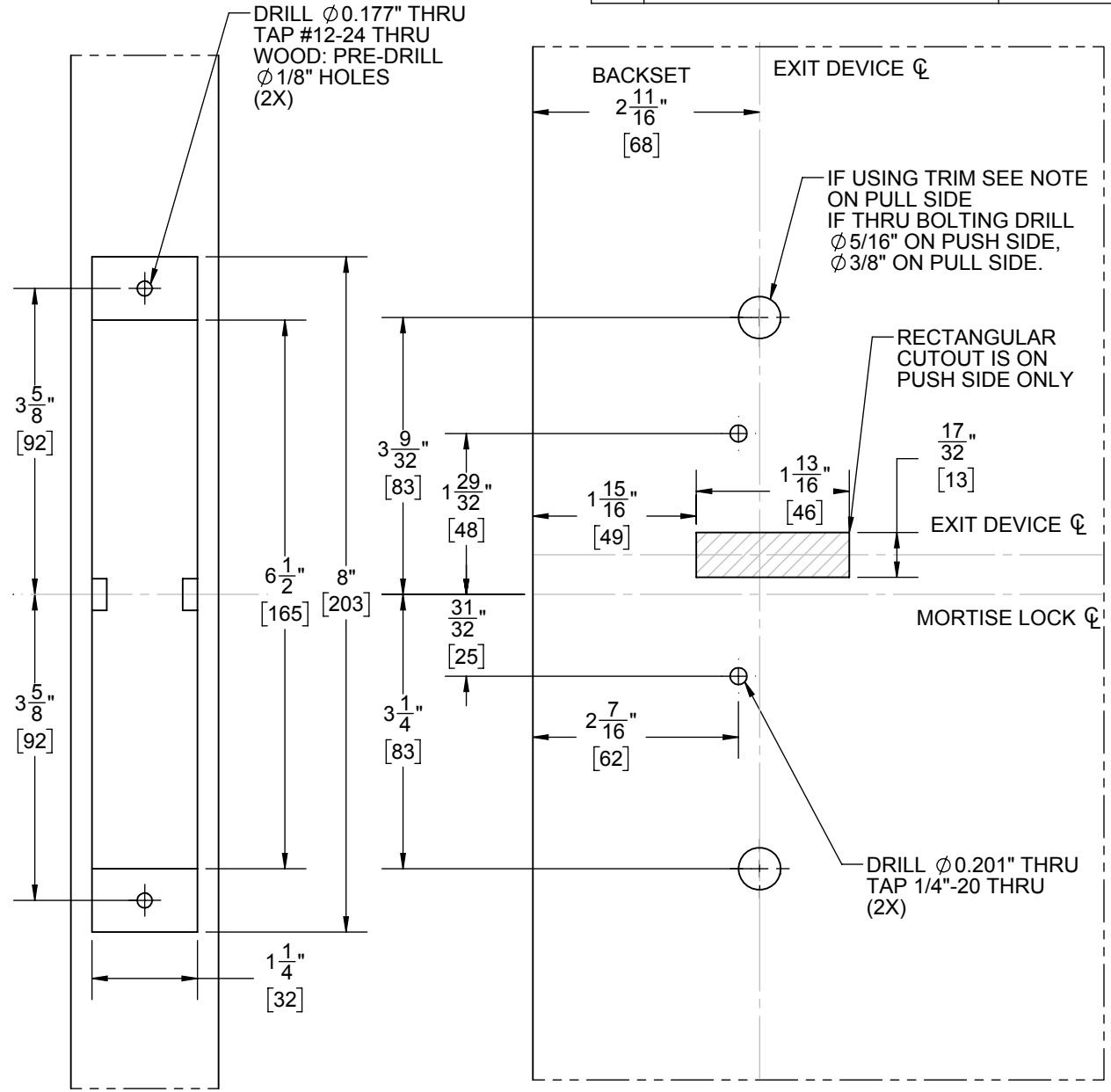
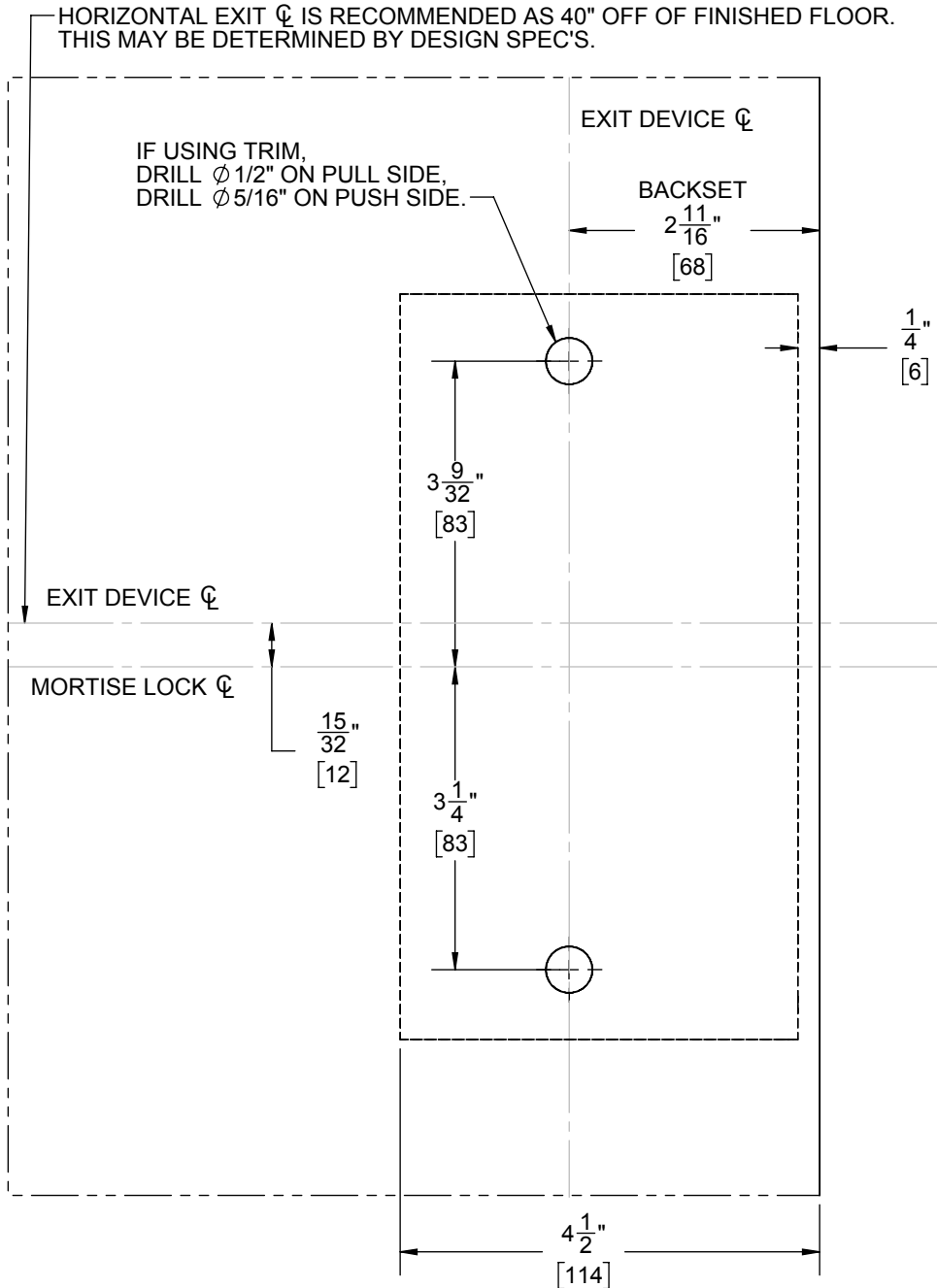
FINISH: -

DO NOT SCALE DRAWING

DRAWN	WJW	4/17/2013
ENG. APPR.	-	-
Q.A.		
TOLERANCES:		
FRACTIONAL: ±0.015"		
ANGULAR: MACH: ± 1° BEND: ±1°		
TWO PLACE DECIMAL: ±0.01"		
THREE PLACE DECIMAL: ±0.004"		

4500 MORTISE LOCK EXIT DEVICE DOOR PREPARATION DRAWING 45MB (BE FUNCTION)		
SIZE	DWG. NO.	REV.
B	S-ED01546	5
SCALE: 1:1	WEIGHT: 99.62	SHEET 3 OF 5

REV.	DESCRIPTION	ECO NO.	DATE
------	-------------	---------	------



MORTISE DOOR PREPARATION PER ASTM/BHMA A156.115-2006. THIS PREPARATION IS SHOWN FOR A SQUARE EDGE DOOR.



PROPRIETARY & CONFIDENTIAL

THE INFORMATION CONTAINED IN THIS DRAWING IS THE SOLE PROPERTY OF HAGER COMPANIES. ANY REPRODUCTION IN PART OR AS A WHOLE WITHOUT THE WRITTEN PERMISSION OF HAGER COMPANIES IS PROHIBITED.

HAGER RESERVES THE RIGHT TO MAKE DESIGN CHANGES WITHOUT NOTICE. CALL HAGER ENGINEERING AT 1-800-325-9995 FOR THE LATEST REVISION DATE OF TEMPLATE.

MATERIAL	Material <not specified>
FINISH	-
DO NOT SCALE DRAWING	

DRAWN	WJW	4/17/2013
ENG. APPR.	-	-
Q.A.		
TOLERANCES:		
FRACTIONAL: $\pm 0.015"$		
ANGULAR: MACH: $\pm 1^\circ$ BEND: $\pm 1^\circ$		
TWO PLACE DECIMAL: $\pm 0.01"$		
THREE PLACE DECIMAL: $\pm 0.004"$		

4500 MORTISE LOCK EXIT DEVICE DOOR PREPARATION DRAWING 45MD (DT FUNCTION)

SIZE	DWG. NO.	REV.
B	S-ED01546	5
SCALE: 1:1	WEIGHT: 99.67	SHEET 4 OF 5

