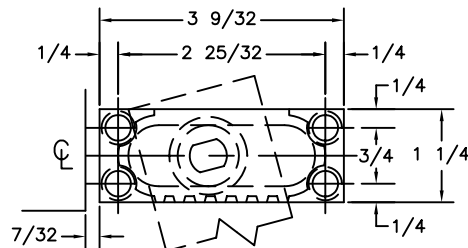
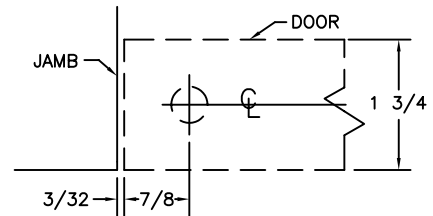


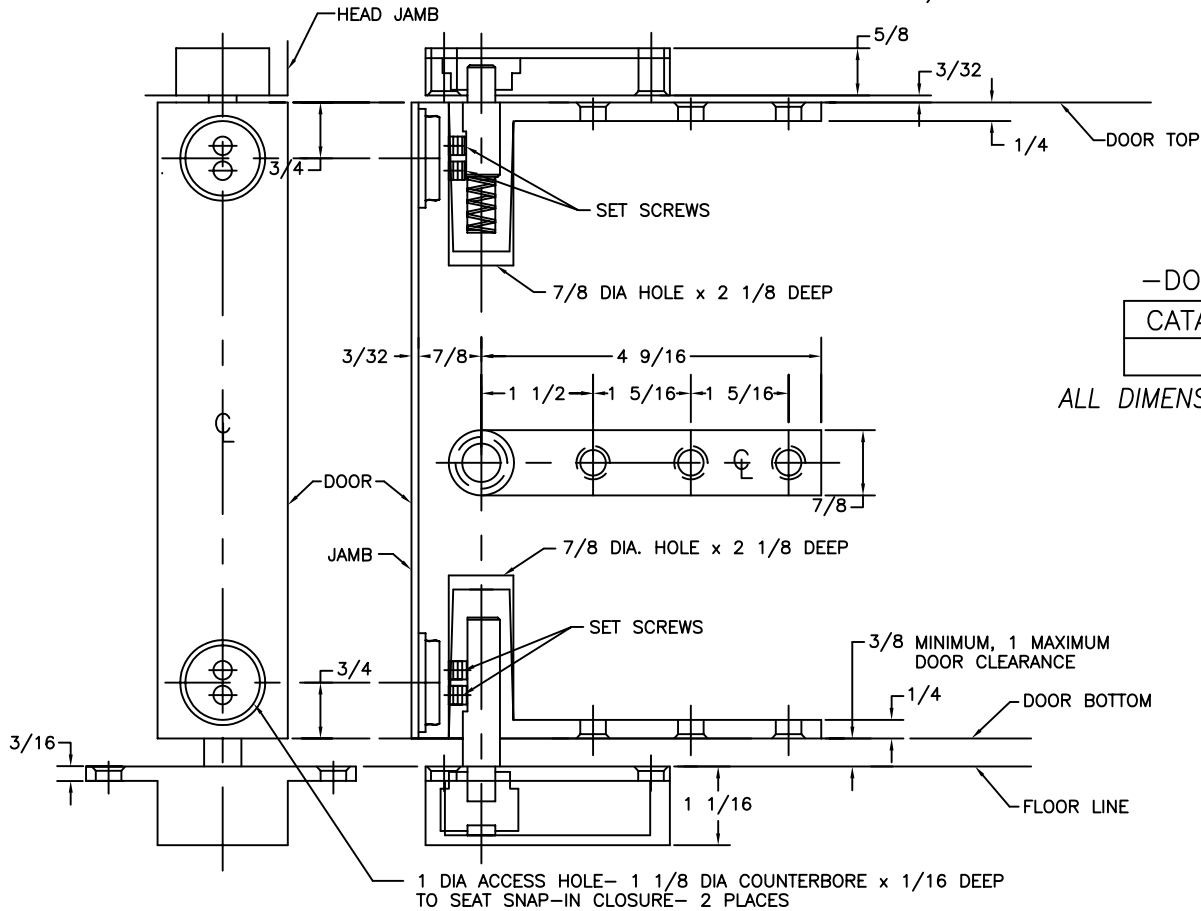
HEAVY DUTY SINGLE ACTING RECONTEUR PIVOT



HEAD GEAR BOX- PLAN VIEW



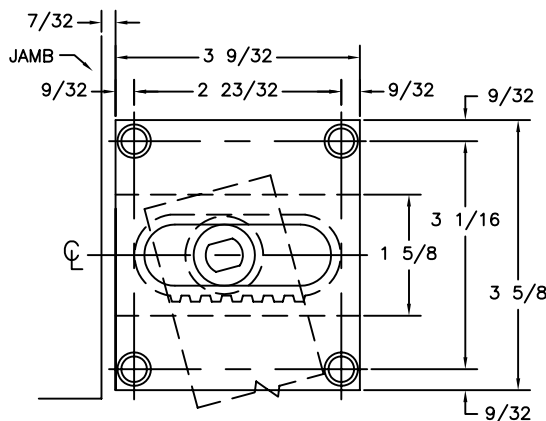
1 3/4 THICK DOOR- PIVOT LOCATION



-DO NOT SCALE-

CATALOG NUMBER
550

ALL DIMENSIONS ARE IN INCHES.



BOTTOM GEAR BOX-
PLAN VIEW

Machine Screw Size: Door Mount Pivots- 12-24 x 1/2" F.H.

Head Gear Box- 12-24 x 1" F.H.

Wood Screw Size for door mount pivots and gear boxes- No. 12 x 1 1/4" F.H.

Plastic cinch anchors furnished for masonry floors.



HAGER COMPANIES
139 Victor St.
St. Louis, MO 63104
1-800-325-9995

HAGER RESERVES THE RIGHT TO MAKE
DESIGN CHANGES WITHOUT NOTICE.

DESCRIPTION:

550 PIVOT TEMPLATE

NO.	REVISION	BY	DATE
2	ECO CT05041	RAM	11-02-05

PART NO.

T357_550 PIVOT