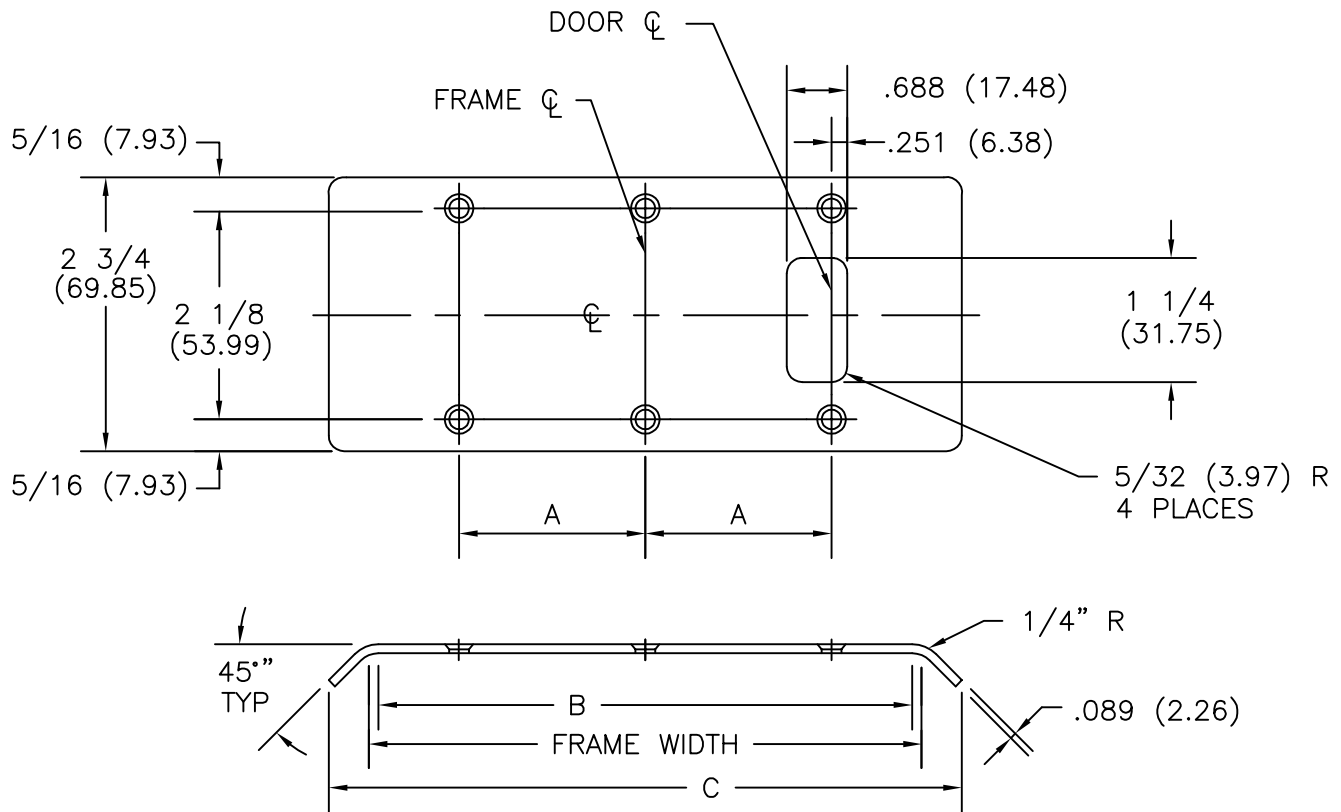


DOUBLE-LIPPED STRIKES FOR INSET HUNG DOORS



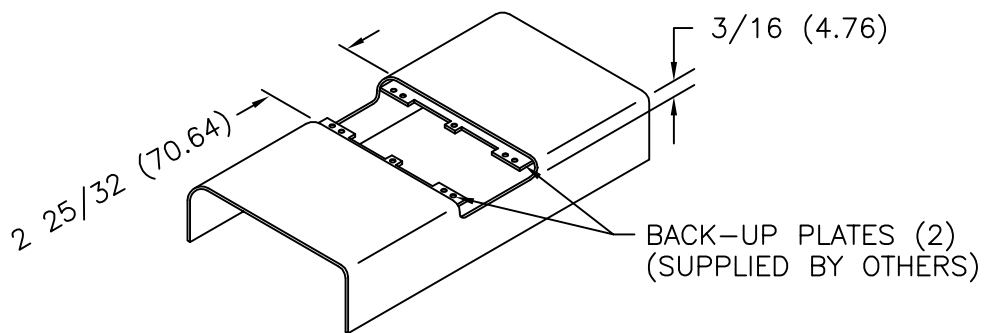
-DO NOT SCALE-

CATALOG NUMBER	FRAME WIDTH	(A)	(B)	(C)	MATERIAL
453	5 3/4 (146.05)	1 7/8 (47.63)	5 3/8 (136.53)	6 3/8 (161.93)	BRASS
454	6 3/4 (171.45)	2 3/8 (60.33)	6 3/8 (161.93)	7 3/8 (187.33)	BRASS

ALL NON-BRACKETED DIMENSIONS ARE IN INCHES, ALL BRACKETED DIMENSIONS ARE IN MILLIMETERS.

Machine screw size- 8-32 x 1/2" undercut F.H.

NOTE: For use with right and left hand door and 5 3/4" (146.05) or 6 3/4" (171.45) frames.



CUTOUT IN METAL JAMB FOR DOUBLE-LIPPED STRIKE

NOTE: Horizontal centerline of plate to coincide with horizontal centerline of cutout.



HAGER COMPANIES
139 Victor St.
St. Louis, MO 63104
1-800-325-9995

HAGER RESERVES THE RIGHT TO MAKE DESIGN CHANGES WITHOUT NOTICE.

NO.	REVISION	BY	DATE
2	UPDATED DWG	DH	01-12-06

DESCRIPTION:
DOUBLE-LIPPED STRIKES
FOR INSET HUNG DOORS

PART NO. T365