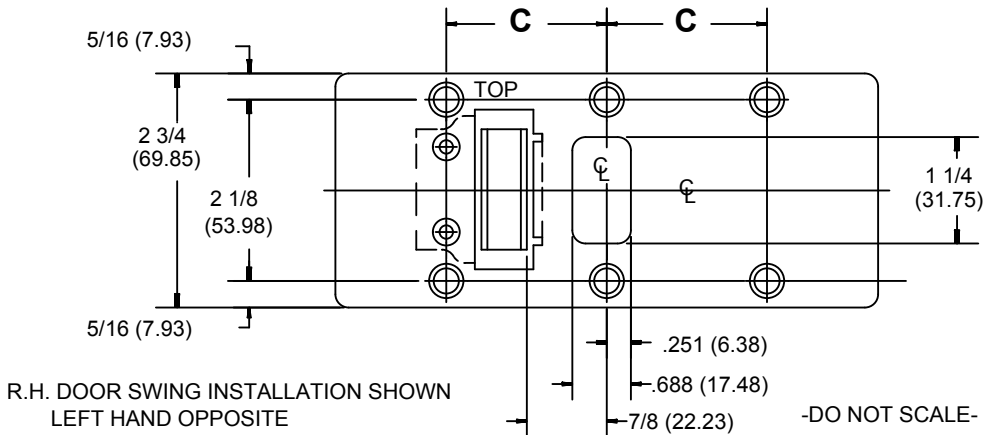
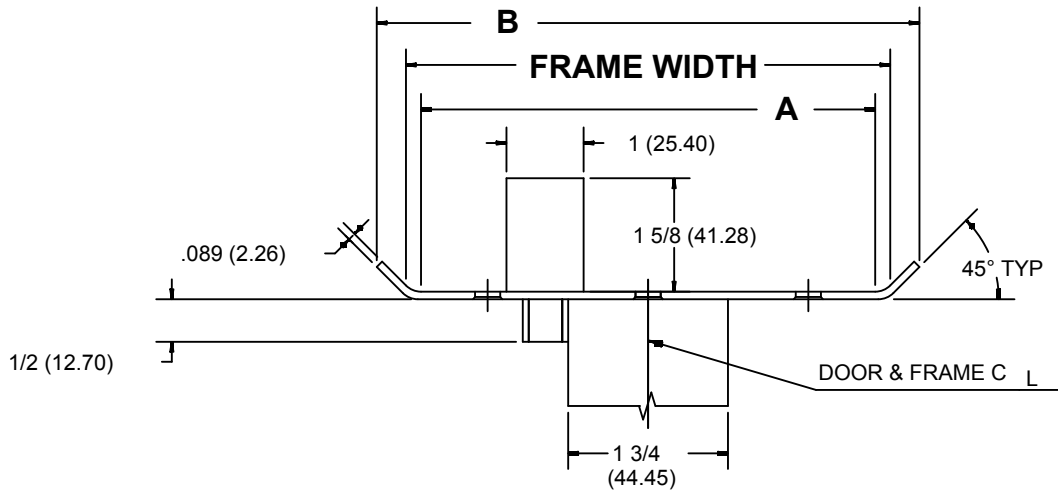


# COMBINATION RESCUE DOOR STOP AND TWO WAY STRIKE FOR CENTER HUNG DOORS

SPECIAL SIZES FOR 1 3/4 (44.45) DOORS

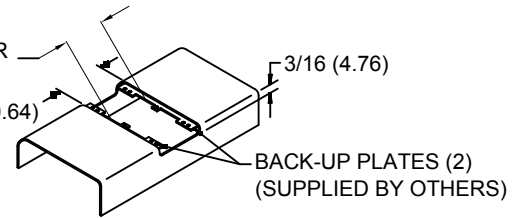


CATALOG NUMBER	FRAME WIDTH	(A)	(B)	(C)	MATERIAL
456	4-3/4	4-3/8	5-3/8	1-7/8	BRASS
	5-1/4	4-7/8	5-7/8	1-7/8	BRASS
	5-7/8	5-1/2	6-1/2	1-15/16	BRASS
	6-1/8	5-3/4	6-3/4	2-1/16	BRASS
	6-1/4	5-7/8	6-7/8	2-1/8	BRASS
	6-1/2	6-1/8	7-1/8	2-1/4	BRASS
	7-1/8	6-3/4	7-3/4	2-9/16	BRASS
	7-1/2	7-1/8	8-1/8	2-3/4	BRASS
	7-3/4	7-3/8	8-3/8	2-7/8	BRASS
	8	7-5/8	8-5/8	3	BRASS
	8-1/4	7-7/8	8-7/8	3-1/8	BRASS
	8-3/4	8-3/8	9-3/8	3-3/8	BRASS

ALL NON-BRACKETED DIMENSIONS ARE IN INCHES.  
ALL BRACKETED DIMENSIONS ARE IN MILLIMETERS.  
Machine Screw Size- 8-32 x 1/2" undercut F.H.

2 5/16 (58.74)  
MIN. CLEARANCE FOR  
DOOR STOP COVER

2 25/32 (70.64)



NOTE: Horizontal centerline of plate to coincide with horizontal centerline of cutout.

CUTOUT IN METAL JAMB FOR DOUBLE-LIPPED STRIKE

Customer Approval \_\_\_\_\_ Date \_\_\_\_\_

HAGER RESERVES THE RIGHT TO MAKE DESIGN CHANGES WITHOUT NOTICE.

DESCRIPTION:

COMBINATION RESCUE DOOR STOP AND TWO WAY STRIKE FOR CENTER HUNG DOORS

**H**  
HAGER COMPANIES  
139 Victor St.  
St. Louis, MO 63104  
1-800-325-9995

NO.	REVISION	BY	DATE
4	PER ECO CT08036	SEW	11-03-08

PART NO.

T456