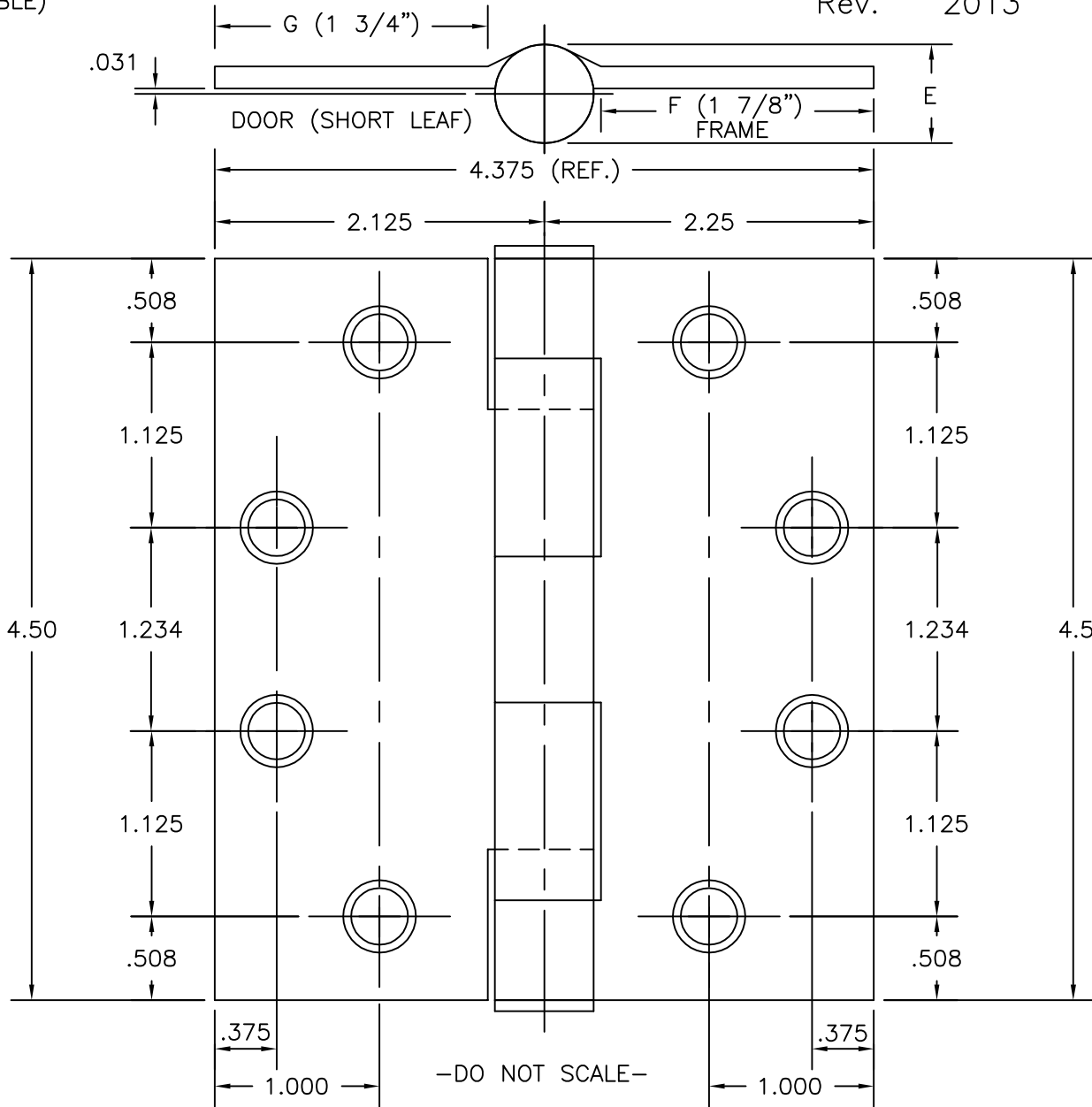


RIGHT HAND
(REVERSIBLE)

FULL MORTISE
TEMPLATE HINGES

Template No. T-SHORT LEAF

SIZES: 4.5 x 4.375 T-SHORT LEAF Rev. '2013



| CATALOG NUMBER | | METAL GAUGE | (E) KNUCKLE DIAMETER | DISTANCE FROM EDGE OF LEAF TO SWAGE LINE (F) | (G) | 4.5x4.375 SHORTLEAF |
|----------------|--------|-------------|----------------------|--|-------|--|
| SHORT LEAF | | | | | | |
| AB700 | BB1279 | 4.5 | .134 | .600 | 1.906 | <p>ALL DIMENSIONS ARE IN INCHES.</p> <p>Machine Screw Size- 12-24 x 1/2" F.H.</p> <p>Wood Screw Size- No. 12 x 1 1/4" F.H.</p> |
| AB750 | BB1168 | 4.5 | .180 | .710 | 1.859 | |
| AB800 | BB1191 | 4.5 | .134 | .600 | 1.906 | |
| AB850 | BB1199 | 4.5 | .180 | .710 | 1.859 | |



Hospital type and round corner template hinges conform to the above screw size and location. They are designated by "HT" and "RC" to catalog number.

Hager template hinges are made in size, gauge and with screw holes located to conform to ANSI-A156.7.

HAGER RESERVES THE RIGHT TO MAKE DESIGN CHANGES WITHOUT NOTICE. CALL HAGER ENGINEERING AT 1-800-325-9995 FOR LATEST REVISION DATE OF TEMPLATE.

HAGER COMPANIES
139 VICTOR STREET
P.O. BOX 12300
ST. LOUIS, MISSOURI 63157-0300

Template No. T-SHORT LEAF