

1

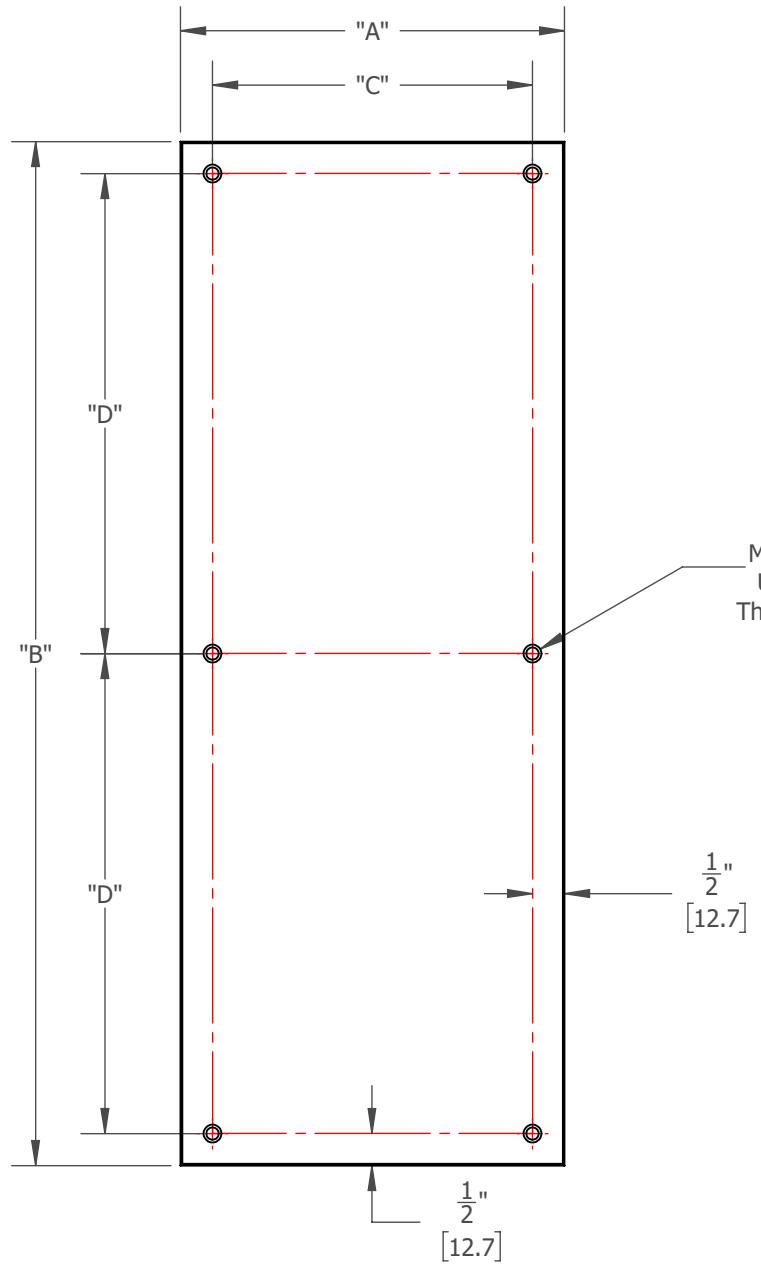
2

3

4

REV	DATE	EDITOR	ECO NO.	CHANGE DESCRIPTION
01	30 Nov 2020	MA		Added Table
-	18 Nov 2020	MA		

A
B
C
D



Mounting Holes for #6 x 5/8"
Undercut Oval Phillips Head
Thread Forming Type AB Screw

NOTE:
FOR INFORMATIONAL PURPOSES ONLY.
DO NOT USE FOR DOOR PREPARATION.

"A"	"B"	"C"	"D"
3"	12"	2"	5 1/2"
3 1/2"	15"	2 1/2"	7"
4"	16"	3"	7 1/2"
6"	16"	5"	7 1/2"
8"	16"	7"	7 1/2"



PROPRIETARY & CONFIDENTIAL
THE INFORMATION CONTAINED IN THIS DRAWING IS THE SOLE PROPERTY OF HAGER COMPANIES. ANY REPRODUCTION IN PART OR AS A WHOLE WITHOUT THE WRITTEN PERMISSION OF HAGER COMPANIES IS PROHIBITED.

HAGER RESERVES THE RIGHT TO MAKE DESIGN CHANGES WITHOUT NOTICE. CALL HAGER ENGINEERING AT 1-800-325-9995 FOR THE LATEST REVISION DATE OF TEMPLATE.

ALL DIMENSIONS REFERENCE UNLESS TOLERANCE SPECIFIED.	DRAWN BY: KJW	6/25/2015	SERIES NO. A30S and 30S	PART NO.
	ENG. APPR.: Devon Forney	11/20/2020	PART DESCRIPTION: A30S and 30S Push Plate	
	THIRD ANGLE PROJECTION			
UNITS: INCH = AUTHORITY [] = MILLIMETER REFERENCE	MATERIAL: Material <not specified>	FINISH:	DRAWING NO. T-TA01155	REVISION 01
DO NOT SCALE	WEIGHT: 0.17 lbs	SHEET SIZE: A	SCALE: 1:3	SHEET 1 OF 1