

# MODEL 2904 POWER SUPPLY

ACCESS CONTROL POWER SUPPLY  
GENERAL SIGNALING TYPE NM  
CLASS 2 OUTPUTS

**SPECIFICATIONS:**

INPUT VOLTAGE: 120VAC/240VAC, 50/60Hz  
AC CURRENT: 900mA/120VAC, 600mA/240VAC  
OUTPUT VOLTAGE: 24VDC FILTERED, REGULATED  
OUTPUT CURRENT: 2.0A  
OUTPUT POWER: 48W  
PROTECTION: OVERLOAD, OVER VOLTAGE, SHORT CIRCUIT

USE INSTALLATION  
INSTRUCTIONS  
I-EA00041

SECURITY



LISTED  
EQUIPMENT  
4M73

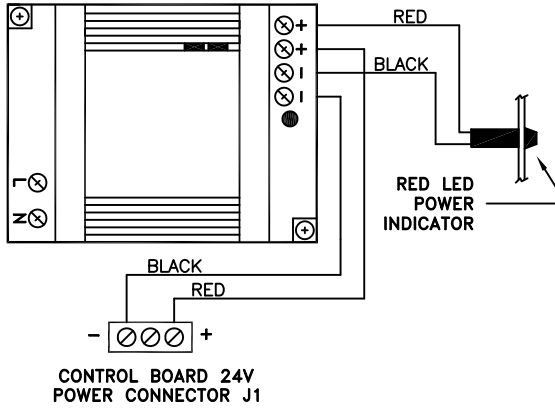
MFG. DATE:

POWER SUPPLY  
INTENDED FOR  
INDOOR USE ONLY

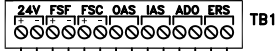
STRIP WIRE BACK 6mm. WIRES  
MUST BE FULLY INSERTED INTO  
TERMINALS SO THAT NO BARE  
METAL IS EXPOSED. FLEXIBLE  
CABLE: ALL STRANDS MUST BE  
SECURED IN TERMINAL. USE  
COPPER CONDUCTORS ONLY.

TERMINAL SIZE RANGE:  
AWG24-10 FOR A TYPE 120VAC OR  
AWG24-14 FOR B TYPE 240VAC INPUT

CLASS 2 DOUBLE INSULATION.  
NO EARTH GROUND WIRE REQUIRED.



**CONTROL BOARD  
I/O CONNECTOR**



RELEASING DEVICE (FIRE ALARM, EMERGENCY RELEASE SWITCH, ETC.).  
OPENING SWITCH CONTACTS WILL RELEASE ELECTRIFIED LOCKING DEVICE(S).  
NOTE: THIS INPUT IS DISABLED BY DEFAULT - REFER TO INSTALLATION INSTRUCTIONS.

RELAY N.O. DRY CONTACT OUTPUT TO "DOOR OPEN" ACTIVATION INPUT OF AUTOMATIC DOOR OPERATOR.  
MOMENTARY CLOSURE OF CONTACTS WILL ACTIVATE OPERATOR UNIT.

INSIDE ACTIVATION SWITCH FOR EXITING (HANDICAPPED WALL ACTUATOR, ETC.).  
MOMENTARY CLOSURE OF CONTACTS WILL SEQUENTIALLY RELEASE ELECTRIFIED LOCKING DEVICE(S) AND ACTIVATE OPERATOR UNIT.

OUTSIDE ACTIVATION SWITCH FOR ENTRY (HANDICAPPED WALL ACTUATOR, ETC.).  
MOMENTARY CLOSURE OF CONTACTS WILL SEQUENTIALLY RELEASE ELECTRIFIED LOCKING DEVICE(S) AND ACTIVATE OPERATOR UNIT.

TO FAIL SECURE ELECTRIFIED LOCKING DEVICE. — BOTH TYPE DEVICES CAN BE CONNECTED AND OPERATED SIMULTANEOUSLY

TO FAIL SAFE ELECTRIFIED LOCKING DEVICE.

UNSWITCHED AUXILIARY 24VDC OUTPUT.

NOTE: THE SUM OF ALL OUTPUTS CANNOT EXCEED 2 AMPS.

I-EA00042

