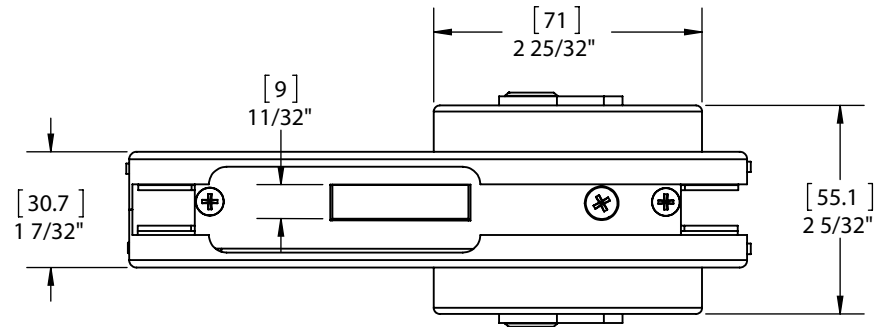
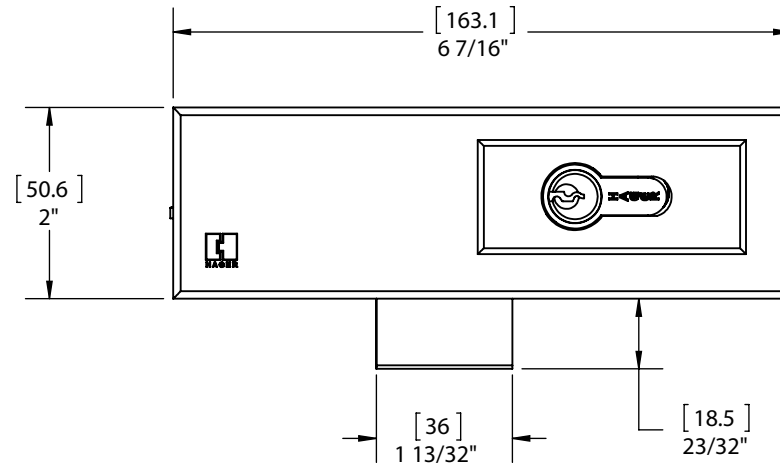


REV.	DESCRIPTION	ECO NO.	DATE
------	-------------	---------	------



PROPRIETARY & CONFIDENTIAL  
 THE INFORMATION CONTAINED  
 IN THIS DRAWING IS THE SOLE  
 PROPERTY OF HAGER  
 COMPANIES. ANY REPRODUCTION  
 IN PART OR AS A WHOLE WITHOUT  
 THE WRITTEN PERMISSION OF  
 HAGER COMPANIES IS PROHIBITED.

HAGER RESERVES  
 THE RIGHT TO  
 MAKE DESIGN  
 CHANGES  
 WITHOUT NOTICE.  
 CALL HAGER  
 ENGINEERING AT  
 1-800-325-9995  
 FOR THE LATEST  
 REVISION DATE  
 OF TEMPLATE.

	DRAWN	RT	2/11/2011
	ENG. APPR.		
MATERIAL	US32		
FINISH	DO NOT SCALE DRAWING		
TOLERANCES: FRACTIONAL: ±0.015" ANGULAR: MACH: ±1° BEND: ±1° TWO PLACE DECIMAL: ±0.01" THREE PLACE DECIMAL: ±0.004"			

655 655 Patch Fitting		SIZE	DWG. NO.	REV.
		A	S-TA00817	-+
SCALE: 1:2		WEIGHT:		SHEET 1 OF 1