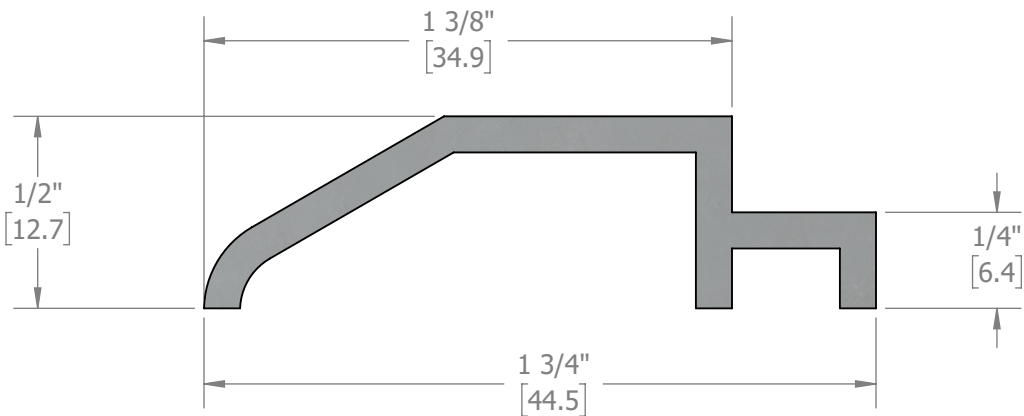


A

B

C

D



Plates and Plate Supports Are Furnished Without Holes and Fasteners Unless Specified.

0.094" Material Thickness



**PROPRIETARY & CONFIDENTIAL**  
 THE INFORMATION CONTAINED IN THIS DRAWING IS THE SOLE PROPERTY OF HAGER COMPANIES. ANY REPRODUCTION IN PART OR AS A WHOLE WITHOUT THE WRITTEN PERMISSION OF HAGER COMPANIES IS PROHIBITED.

HAGER RESERVES THE RIGHT TO MAKE DESIGN CHANGES WITHOUT NOTICE. CALL HAGER ENGINEERING AT 1-800-325-9995 FOR THE LATEST REVISION DATE OF TEMPLATE.

ALL DIMENSIONS REFERENCE UNLESS TOLERANCE SPECIFIED.	DRAWN BY:	MRJ	8/17/2011	SERIES NO.	PART NO.
	ENG. APPR.:				470S
UNITS: INCH = AUTHORITY [ ] = MILLIMETER REFERENCE	THIRD ANGLE PROJECTION			PART DESCRIPTION:	
	MATERIAL:	6063-T6		FLOOR PLATE ASSEMBLY THRESHOLD	
DO NOT SCALE	FINISH: MIL	WEIGHT: 0.09 lbs		DRAWING NO.	REVISION
				S-TW00053	01
		SHEET SIZE: A	SCALE: 2:1	SHEET 1 OF 1	