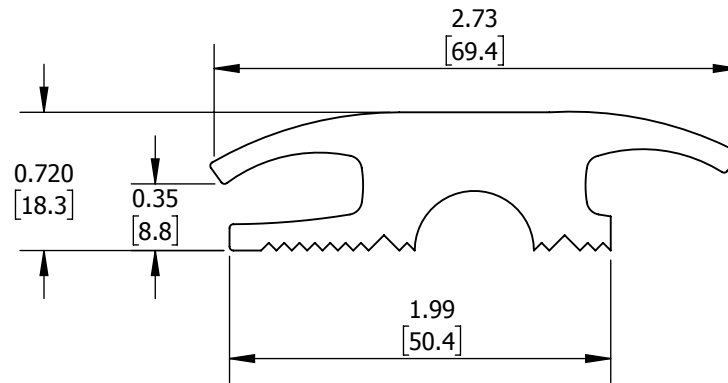



REV.	DESCRIPTION	ECO NO.	DATE
-	INITIAL CHECK IN		7/5/2017
01	UPDATED TOLERANCES FOR PPAP	NPD16011	8/11/2017



NOTES  
UL10C & UL10B Rated  
Material - Vinyl

 <b>PROPRIETARY &amp; CONFIDENTIAL</b> THE INFORMATION CONTAINED IN THIS DRAWING IS THE SOLE PROPERTY OF HAGER COMPANIES. ANY REPRODUCTION IN PART OR AS A WHOLE WITHOUT THE WRITTEN PERMISSION OF HAGER COMPANIES IS PROHIBITED.	HAGER RESERVES THE RIGHT TO MAKE DESIGN CHANGES WITHOUT NOTICE. CALL HAGER ENGINEERING AT 1-800-325-9995 FOR THE LATEST REVISION DATE OF TEMPLATE.	DRAWN	PK	7/5/2017	<b>901S</b> <b>Carpet to Tile Vinyl Threshold</b>				
		MATERIAL	FPVC	ENG. APPR.			-	-	
		FINISH	BLACK	TOLERANCES: FRACTIONAL: ±0.015" ANGULAR: MACH: ± 1° BEND: ±1° TWO PLACE DECIMAL: ±0.065" THREE PLACE DECIMAL: ±0.030"			SIZE	DWG. NO.	REV.
		DO NOT SCALE DRAWING					<b>A</b>	<b>S-TW00279</b>	<b>01</b>
		SCALE: 1:1	WEIGHT: 0.22		SHEET 1 OF 1				