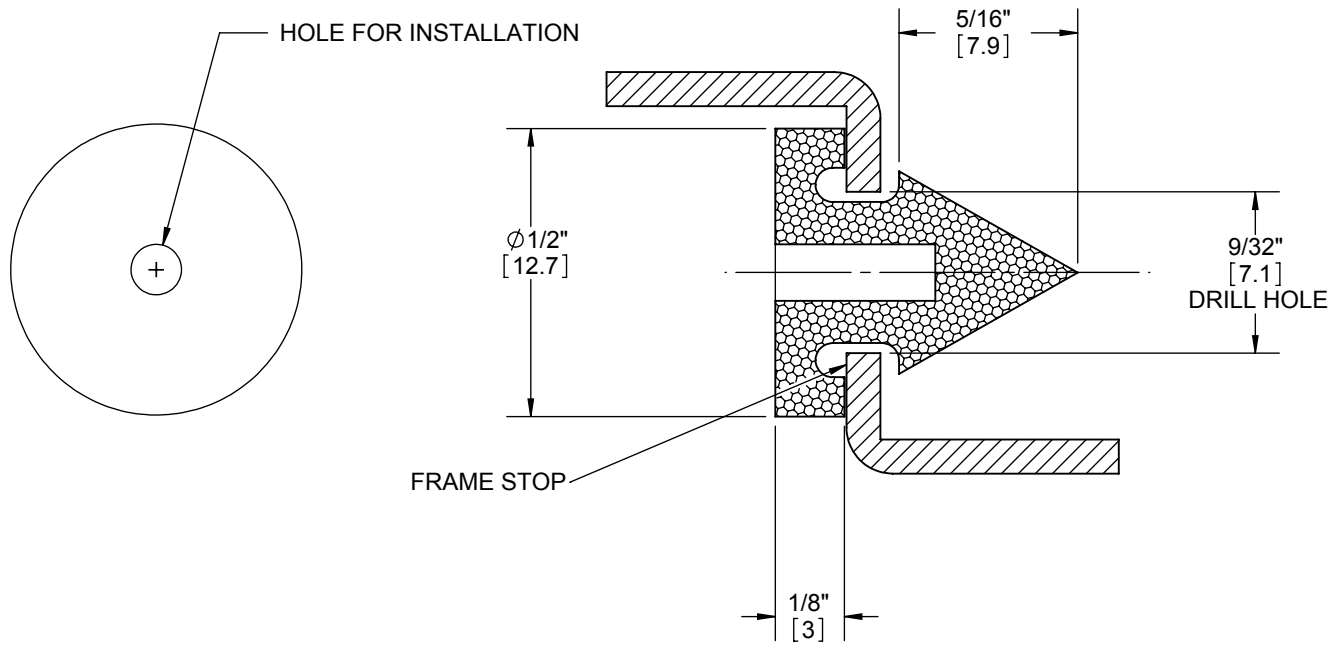


REVISIONS		
REV.	DESCRIPTION	DATE



INSTALLATION INSTRUCTIONS:

DRILL (3) 9/32" HOLES IN THE FRAME STOP: (1) AT 4" FROM THE TOP JAMB, (1) AT 4" FROM THE FLOOR, AND (1) 6" ABOVE THE LOCK STRIKE.

INSERT AN ALLEN WRENCH OR 3/32" DIA WIRE INTO THE HOLE IN THE CENTER OF THE SILENCER. MOISTEN CONE AND INSERT INTO THE DRILLED HOLE. PUSH SLOWLY AND USE A CIRCULAR MOTION TO EASE INSTALLATION. PRESS UNTIL PART SNAPS INTO PLACE.



PROPRIETARY & CONFIDENTIAL
 THE INFORMATION CONTAINED IN THIS DRAWING IS THE SOLE PROPERTY OF HAGER COMPANIES. ANY REPRODUCTION IN PART OR AS A WHOLE WITHOUT THE WRITTEN PERMISSION OF HAGER COMPANIES IS PROHIBITED.

HAGER RESERVES THE RIGHT TO MAKE DESIGN CHANGES WITHOUT NOTICE. CALL HAGER ENGINEERING AT 1-800-325-9995 FOR THE LATEST REVISION DATE OF TEMPLATE.

MATERIAL	Material <not specified>
FINISH	-
DO NOT SCALE DRAWING	

DRAWN	MRJ	11/08/2007
ENG. APPR.	-	-
Q.A.		
TOLERANCES:		
FRACTIONAL: ±0.015"		
ANGULAR: MACH: ± 1° BEND: ±1°		
TWO PLACE DECIMAL: ±0.01"		
THREE PLACE DECIMAL: ±0.004"		

307D		DOOR SILENCER	
SIZE	DWG. NO.	REV.	
A	DOOR SILENCER INST		
SCALE: 2:1	WEIGHT: 0.00	SHEET 1 OF 1	