

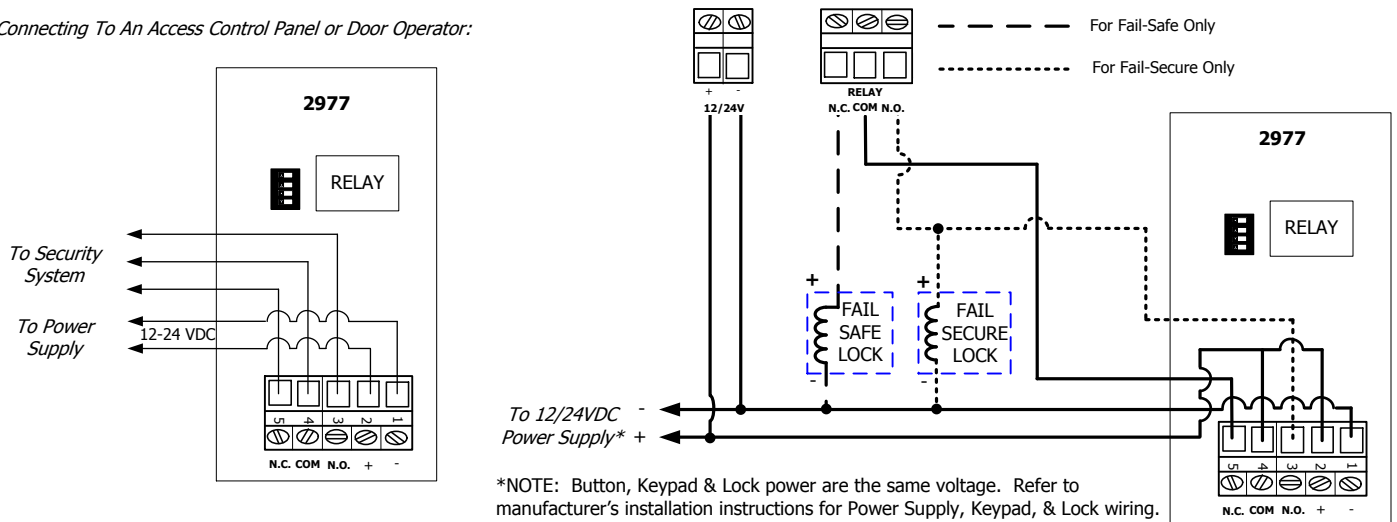
Specifications

Input Voltage Requirements: 12-24V AC/DC
Current Draw: Idle-30mA, Active-150mA
Output: Dry SDPT 3 Amp @ 30VDC
Relay Time: Adjustable 1 to 35 seconds
Dimensions: 4.75" H x 3" W x 1.125" D

Wiring

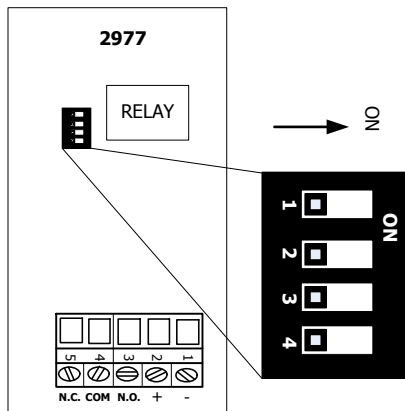
Connecting To A Keypad Controlled Fail-Safe or Fail-Secure Locking Device:

Connecting To An Access Control Panel or Door Operator:



Programming

Use the DIP switches on the lower right to adjust the Relay Activation Time or to reverse the Standby Illumination setting.



Programming Feature	Dip Switch #			
	1	2	3	4
5 second unlock delay	ON			
10 second unlock delay		ON		
20 second unlock delay			ON	
Toggle ON/OFF	ON	ON	ON	
Standby Illumination				*

Relay Activation Time – Controlled by DIP switches #1, 2 & 3. DIP switches are additive. For example, DIP switches #1 & 2 in the ON position equals 15 seconds.
 Minimum Time (DIP switches 1, 2 & 3 are OFF) = 1 second
 Maximum Time (DIP switches 2 & 3 are ON) = 30 seconds

*** Standby Illumination Status** – controlled by DIP switch #4.
 SW #4 OFF = Red (Idle); Flashing Green (Relay Active)
 SW #4 ON = Green (Idle); Flashing Red (Relay Active)