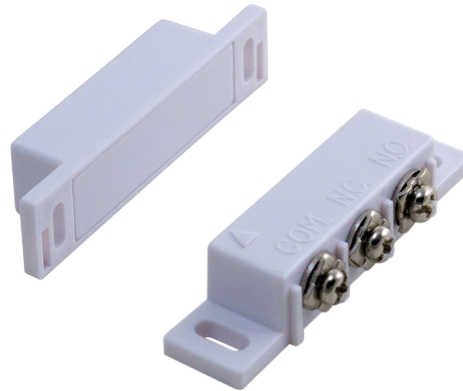


DEVICES COVERED IN THIS DOCUMENT:  
 2-659-0369

## 1. DESCRIPTION



## 2. SPECIFICATIONS

Voltage maximum:	30 VAC/VDC
Current maximum:	0.24 A
Power maximum:	3.0 W
Electrical configuration:	SPDT
Wiring (12" 22AWG):	open or closed
Gap distance maximum:	2"

Specifications are subject to change without prior notice.  
 All values measured in specific conditions.

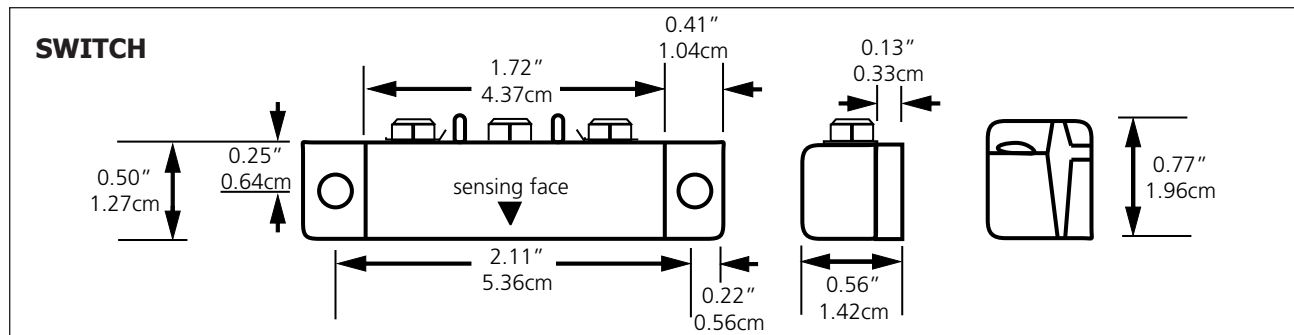
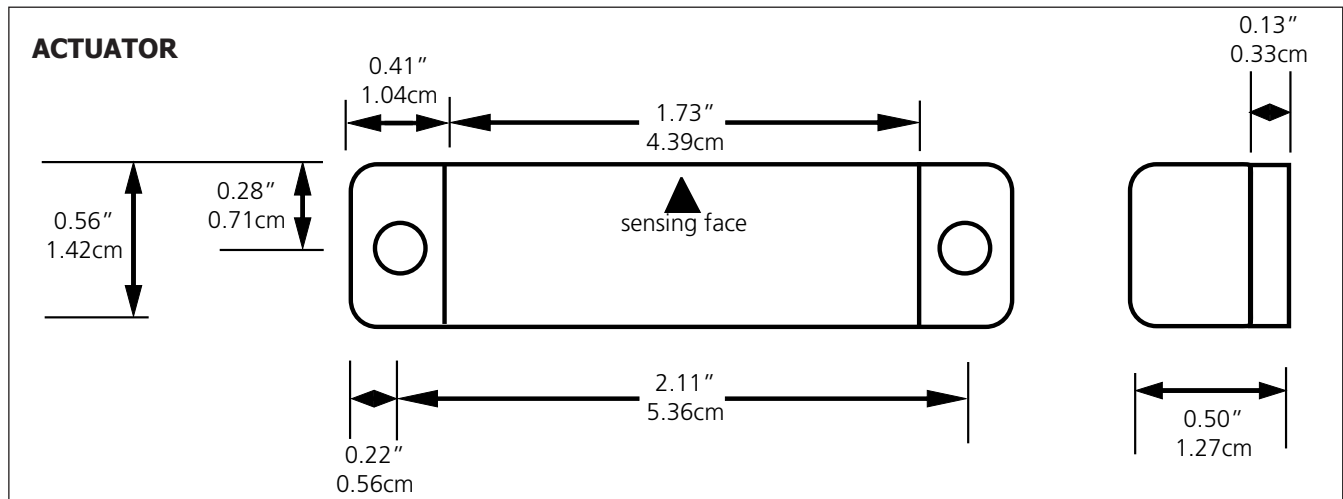
## 3. PRECAUTIONS



- Shut off all power going to header before attempting any wiring procedures.
- Maintain a clean and safe environment when working in public areas.
- Constantly be aware of pedestrian traffic around the area.
- Always stop pedestrian traffic through the doorway when performing tests that may result in unexpected reactions by the door.
- Always check placement of all wiring before powering up to ensure that moving door parts will not catch any wires and cause damage to equipment.
- Ensure compliance with all applicable safety standards (i.e. ANSI A156.10/19) upon completion of installation.
- DO NOT attempt any internal repair of the components. All repairs and/or component replacements must be performed by Hager. Unauthorized disassembly or repair:
  1. May jeopardize personal safety and may expose one to the risk of electrical shock.
  2. May adversely affect the safe and reliable performance of the product resulting in a voided warranty.

## 4. INSTALLATION

1. Determine mounting location on door frame.
2. Mark and drill two holes for mounting the switch.
3. Mount the switch to the frame with the screws.
4. Align the magnet on the door with the switch.
5. Mark and drill two holes for mounting the magnet.
6. Mount the magnet with the screws.
7. Wire the switch as needed for the application.



### INSTALLATION/SERVICE COMPLIANCE EXPECTATIONS

The sensor manufacturer cannot be held responsible for incorrect installations or inappropriate adjustments of the sensor/device; therefore, the sensor manufacturer does not guarantee any use of the sensor outside of its intended purpose.

The sensor manufacturer strongly recommends that installation and service technicians be AAADM-certified for pedestrian doors, IDA-certified for doors/gates, and factory-trained for the type of door/gate system.

Installers and service personnel are responsible for executing a risk assessment following each installation/service performed, ensuring that the sensor system installation is compliant with local, national, and international regulations, codes, and standards.

Once installation or service work is complete, a safety inspection of the door/gate shall be performed per the door/gate manufacturer recommendations and/or per AAADM/ANSI/DASMA guidelines (where applicable) for best industry practices. Safety inspections must be performed during each service call – examples of these safety inspections can be found on an AAADM safety information label (e.g. ANSI/DASMA 102, ANSI/DASMA 107).

Verify that all appropriate industry signage and warning labels are in place.

