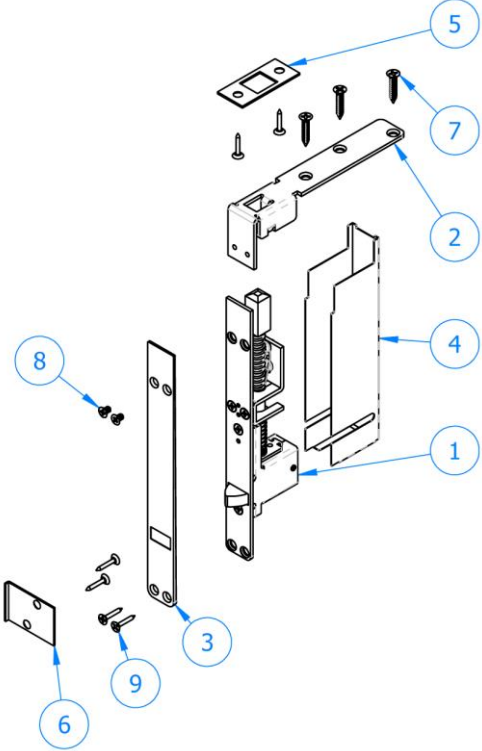
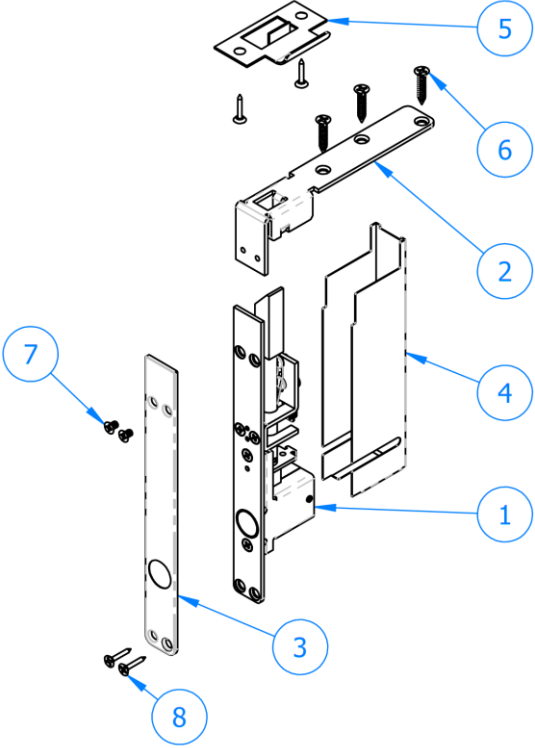


Contents:	291S QTY:	
1. Body (Automatic Flush Bolt for Wood Doors)	1	
2. Bolt Head Guide (Wood Doors)	1	
3. Cover Plate (Automatic Flush Bolt for Wood Doors)	1	
4. Body Cover (Wood Doors)	1	
5. Frame/Floor Strike (Automatic Flush Bolt)	1	
6. Active Door Strike (Automatic Flush Bolt)	1	
7. #10 x 1" Flat Phillips Head Wood Screws	3	
8. #8-32 x 1/4" Flat Phillips Head Undercut Machine Screws	2	
9. #8 x 3/4" Flat Phillips Head Undercut Combo Screws	6	

Contents:	294S QTY:	
1. Body (Self-Latching Flush Bolt for Wood Doors)	1	
2. Bolt Head Guide (Wood Doors)	1	
3. Cover Plate (Self-Latching Flush Bolt for Wood Doors)	1	
4. Body Cover (Wood Doors)	1	
5. Frame Strike (Self-Latching Flush Bolt)	1	
6. #10 x 1" Flat Phillips Head Wood Screws	3	
7. #8-32 x 1/4" Flat Phillips Head Undercut Machine Screws	2	
8. #8 x 3/4" Flat Phillips Head Undercut Combo Screws	4	

PLEASE READ ALL INSTRUCTIONS BEFORE INSTALLING**INCH = AUTHORITY****[] = MILLIMETER REFERENCE**

1. Install the Door Coordinator (Sold Separately)
2. Prep the Inactive Door using Figure 1 for 291S and Figure 2 for 294S

Notes:

- a. 291S can be installed on both the top or bottom of the inactive door
 - b. 294S can only be installed on the top of the inactive door
3. Rotate Bolt Head so that the top of the Bolt Head sits flush with the top/bottom of the door when in the retracted position
 4. Install the Bolt Head Guide and Cover Plate to the Flush Bolt Assembly using 2ea of the #8-32 x 1/4" Flat Phillips Head Undercut Machine Screws
 5. Using 3ea of the #10 x 1" Flat Phillips Head Wood Screws and 2ea of the #8 x 3/4" Flat Phillips Head Undercut Combo Screws, secure the Flush Bolt to the Mortised Inactive Door
 6. Using Figure 4 for 291S, Figure 5 for 292S and 2ea of the #8 x 3/4" Flat Phillips Head Undercut Combo Screws, install the Frame and/or Floor Strike

Notes:

- a. Make sure the Frame and/or Floor Strike centerline is aligned with the Bolt Head centerline
 - b. Bolts have a max throw of 3/4"
7. Hang the Door

STEP 8 IS FOR 291S ONLY

8. Using Figure 3 and 2ea of the #8 x 3/4" Flat Phillips Head Undercut Combo Screws, install the Active Door Strike

Notes:

- a. Make sure the Active Door Strike centerline is aligned with the Flush Bolt Cam centerline
- b. Surface mount the Active Door Strike when the gap between the doors is 3/16" or greater. If gap is smaller than 3/16", mortise the Active Door Strike into the active door edge.

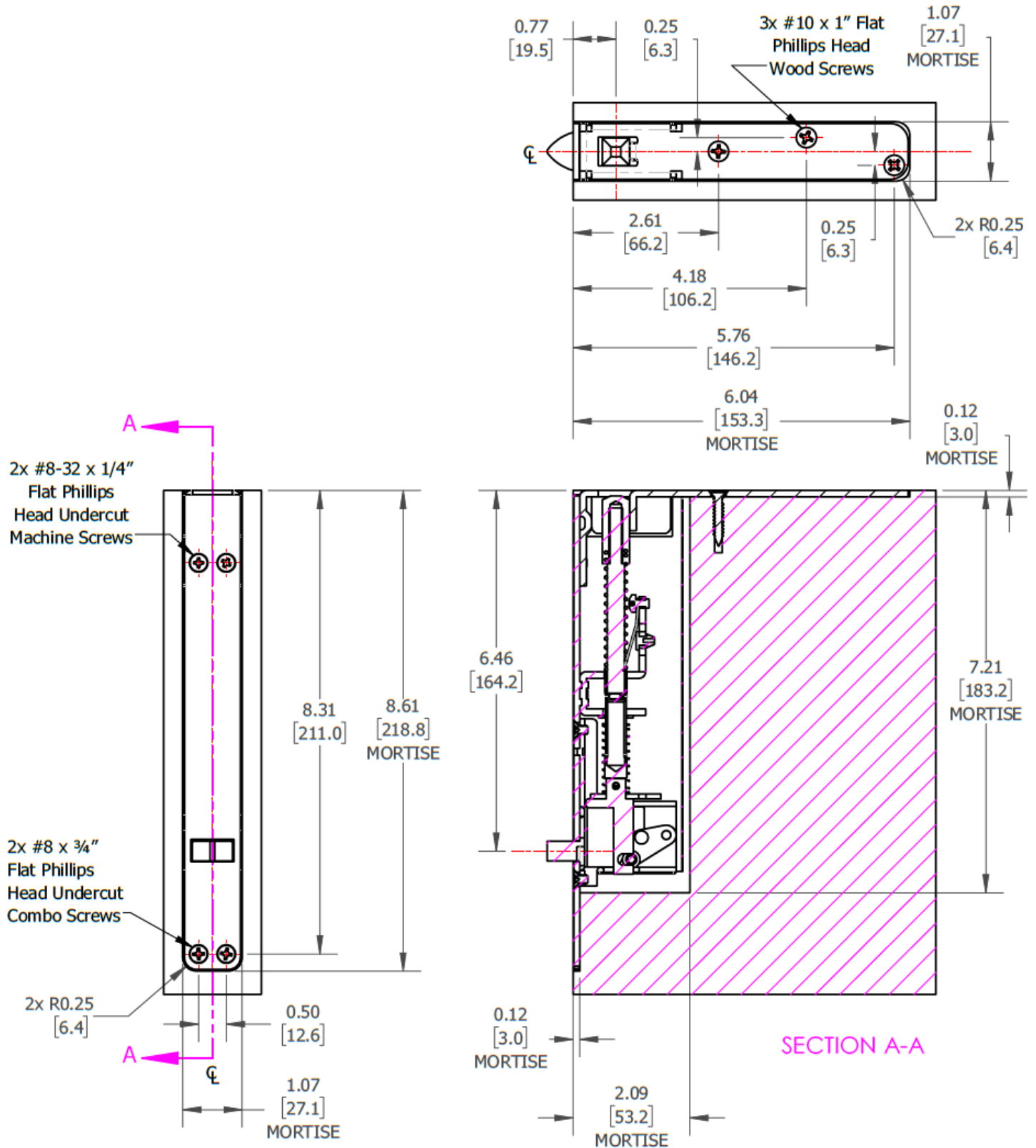


Figure 1: 291S Automatic Flush Bolt for Wood Doors

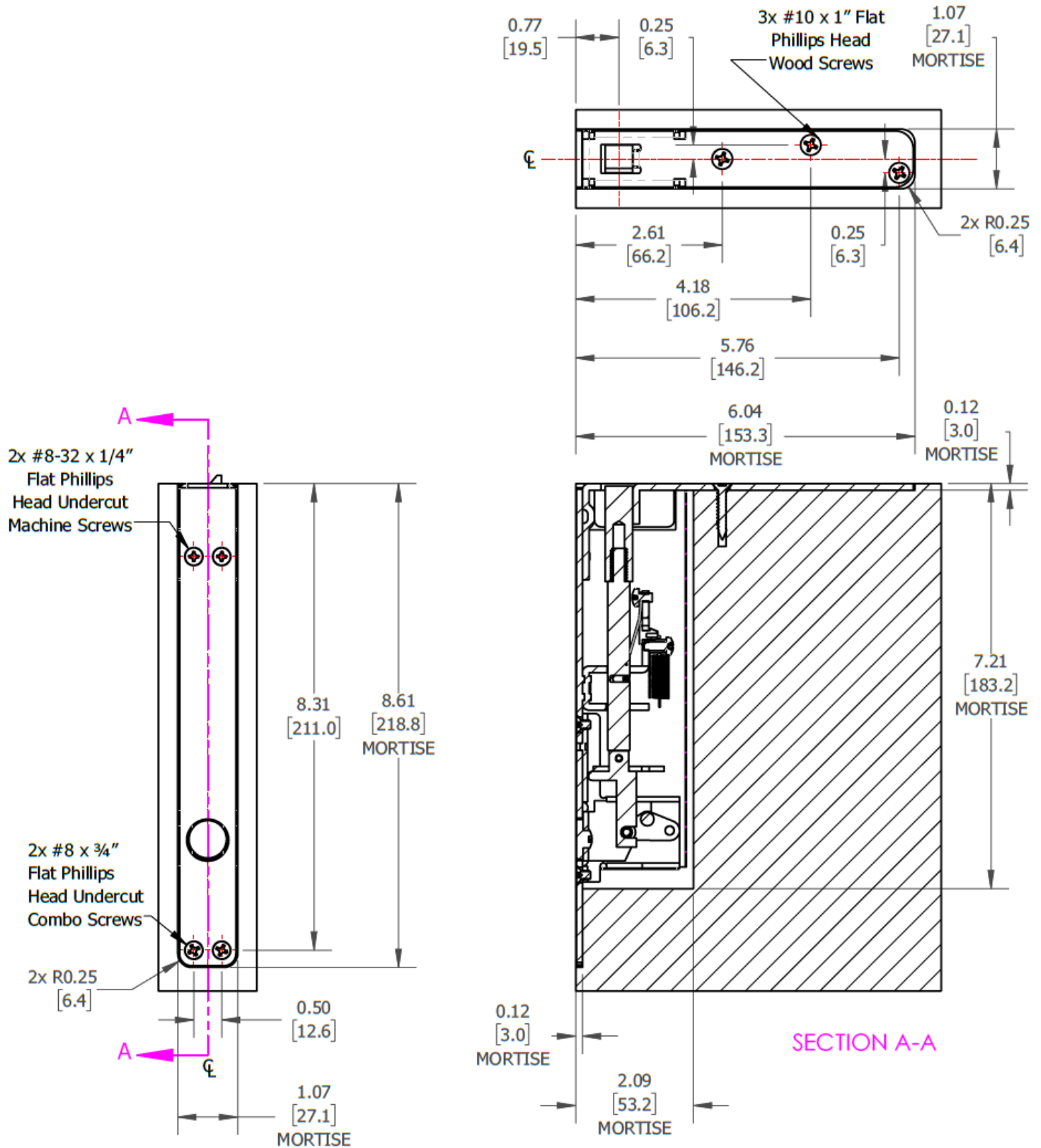


Figure 2: 294S Self-Latching Flush Bolt for Wood Doors

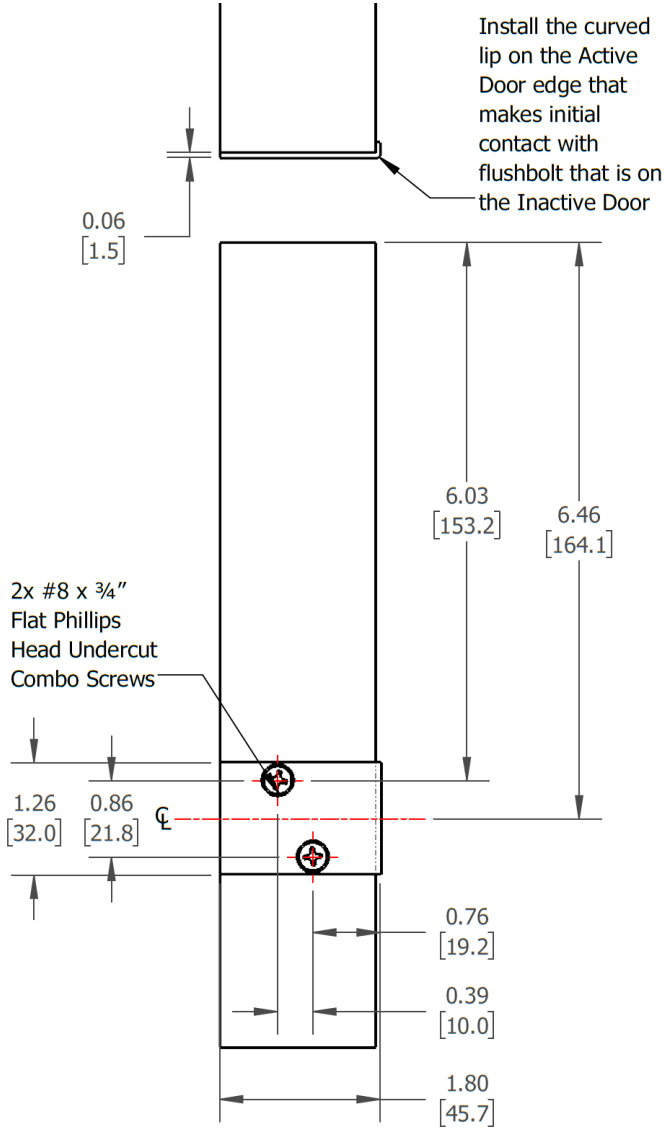


Figure 3: Active Door Strike

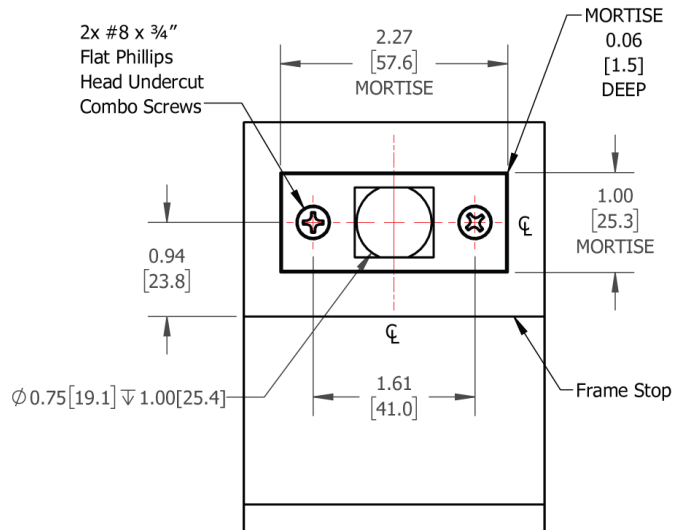


Figure 4: Automatic Flush Bolt Frame/Floor Strike

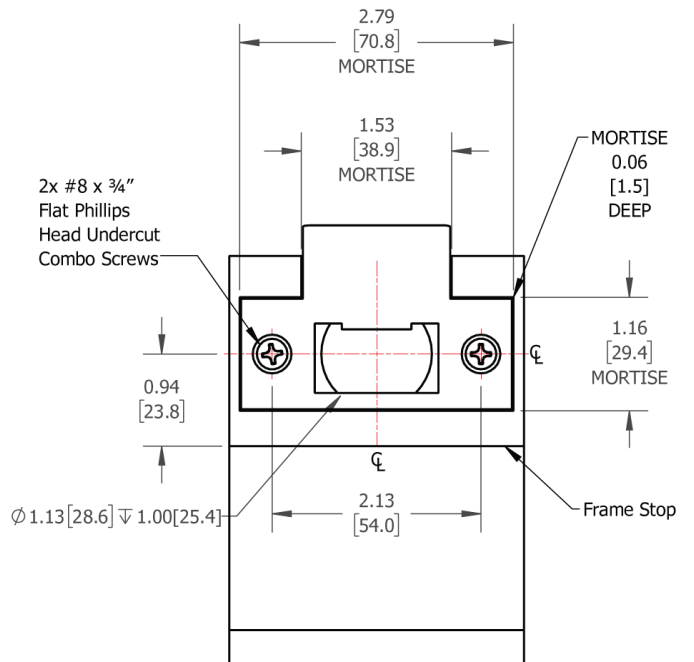


Figure 5: Self-Latching Flush Bolt Frame Strike