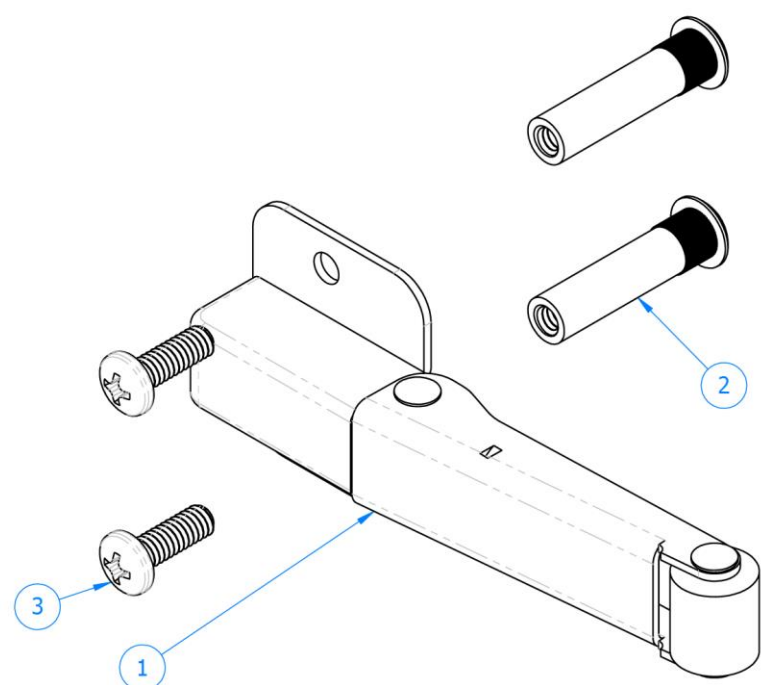


| Contents: | Qty: | |
|---------------------------------------------------|------|-------------------------------------------------------------------------------------|
| 1. Carry-Open Bar | 1 |  |
| 2. 1/4"-20 x 1-5/8" Sex Bolt | 2 | |
| 3. 1/4"-20 x 3/4" Pan Phillips Head Machine Screw | 2 | |

The **297C Carry-Open Bar** pushes the active door beyond the door coordinator's hold-open position. The 297C Carry-Open Bar is not needed when the inactive door is equipped with flush bolts.

1. Refer to Template T-TA01517 during the installation process
2. Position the Carry-Open Bar on the push side of the inactive door as seen on the template
3. Mark the holes using the Carry-Open Bar as a template
4. Drill two 1/4" thru-holes through the marked spots created in the previous step
5. Enlarge the holes on the opposite side using a 3/8" drill bit. Make sure to not drill all the way through the door but no less than 1-5/8" deep.
6. Insert the 1/4"-20 x 1-5/8" Sex Bolt to the enlarged holes created in the previous step
 Note: A rubber mallet might be necessary to fully seat the 1/4"-20 x 1-5/8" Sex Bolt
7. Fasten the Carry-Open Bar using the 1/4"-20 x 3/4" Pan Phillips Head Machine Screw