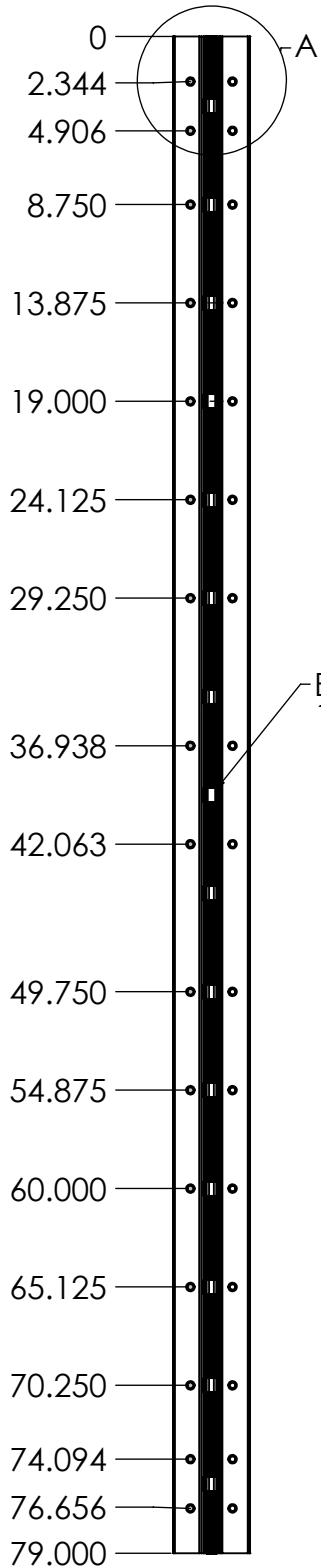
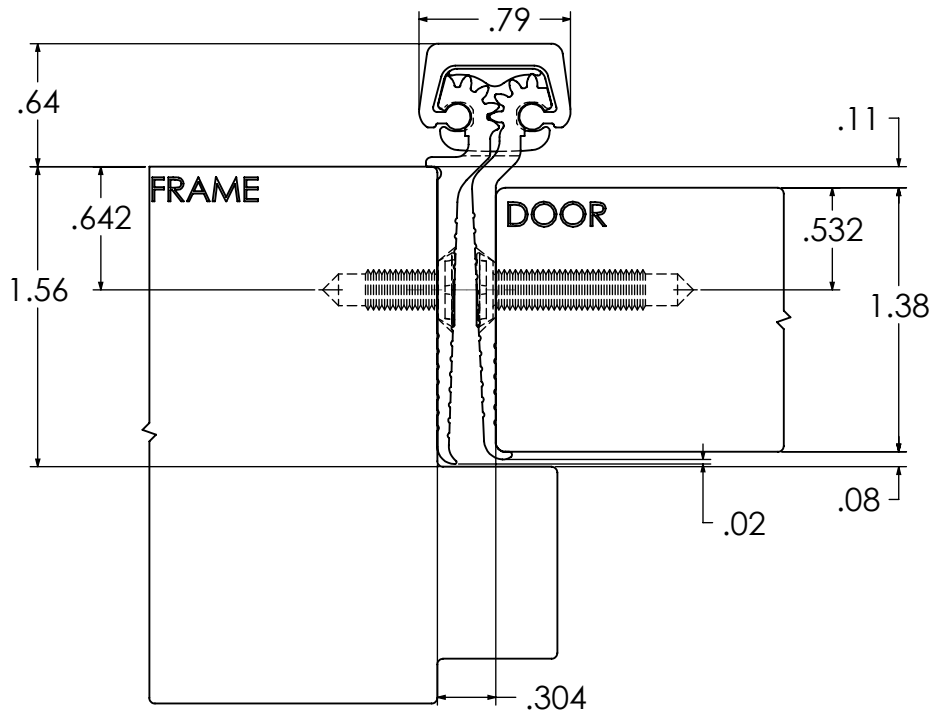


TEMPLATE FOR FULL MORTISE CONTINUOUS GEARED ALUMINUM HINGE

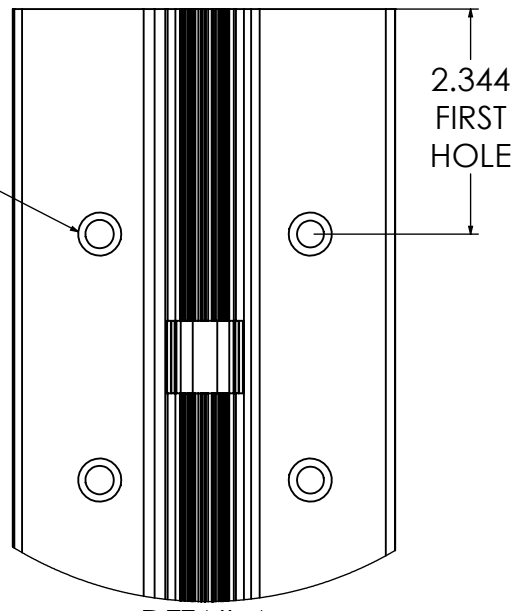


BEARINGS  
15 PLACES

#12 FLAT HEAD SCREW  
30 PLACES



SCALE 1 : 1



DETAIL A  
SCALE 1 : 2