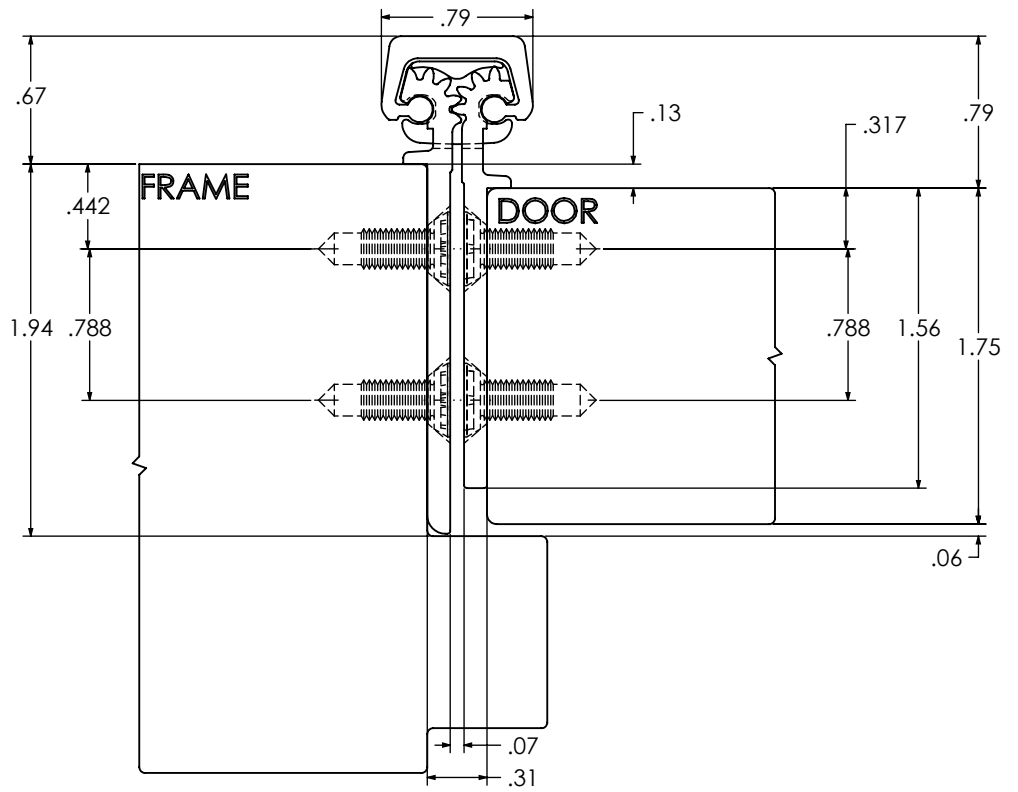
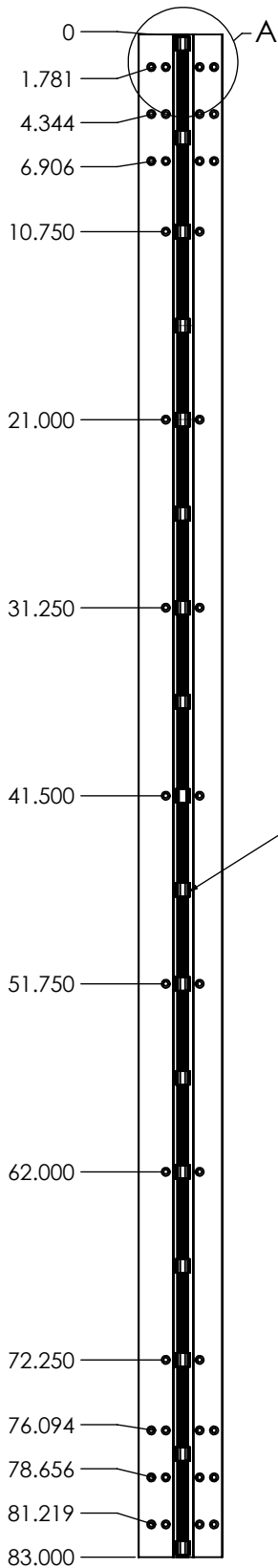


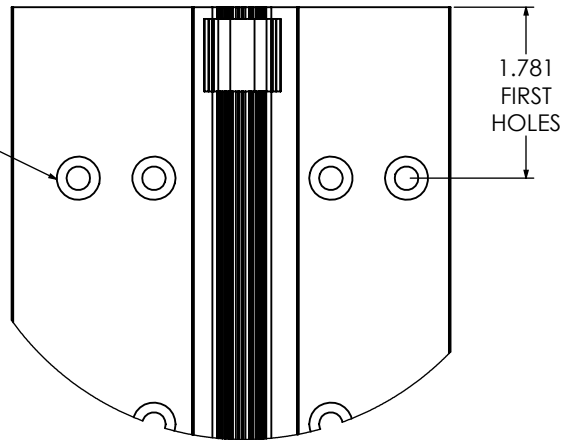
TEMPLATE FOR FULL MORTISE CONTINUOUS GEARED ALUMINUM HINGE



SCALE 1 : 1

BEARINGS
17 PLACES

#12 FLAT HEAD SCREW
38 PLACES



DETAIL A
SCALE 1 : 2