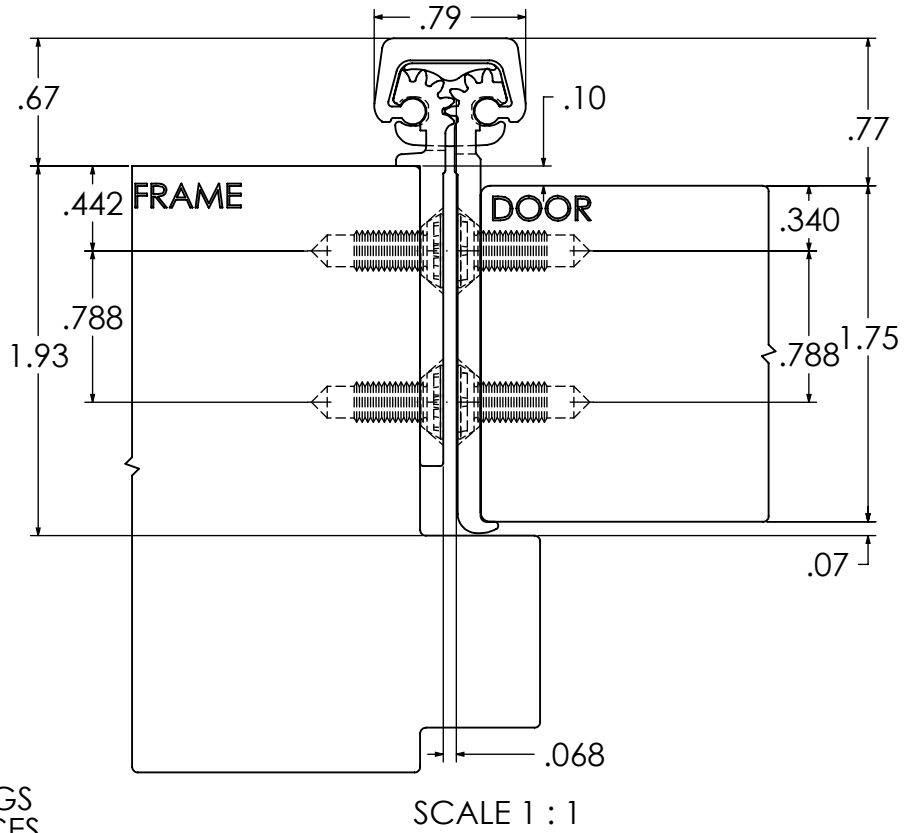
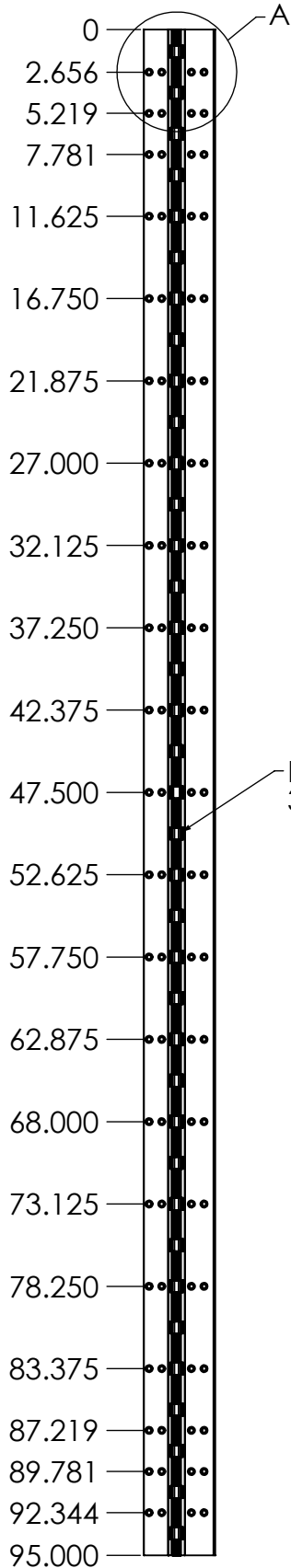
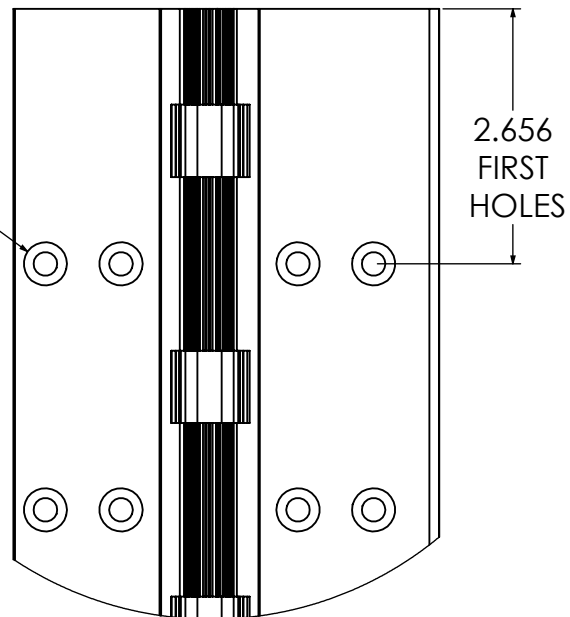


TEMPLATE FOR FULL MORTISE CONTINUOUS GEARED ALUMINUM HINGE



#12 FLAT  
HEAD SCREW  
84 PLACES



DETAIL A  
SCALE 1 : 2