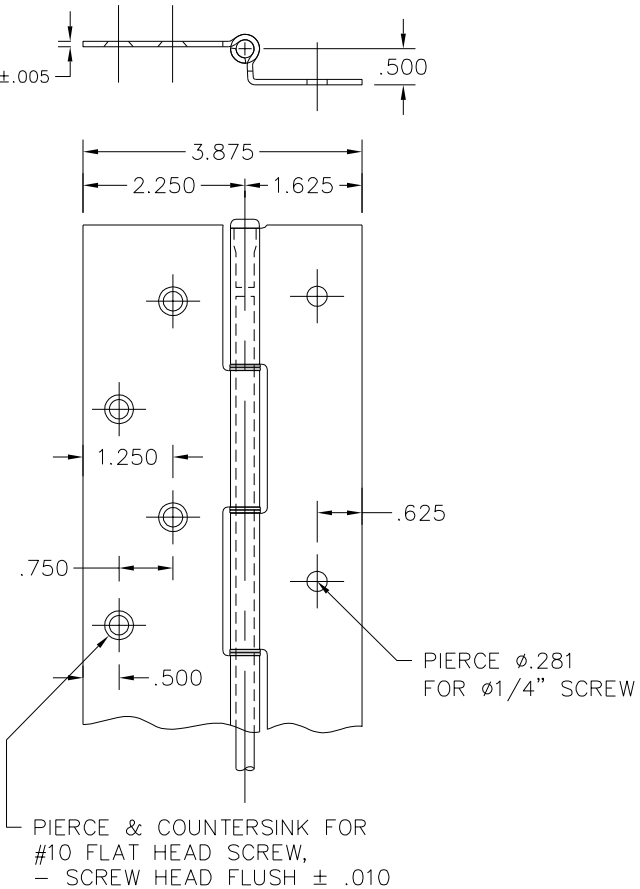


**APPLICATION**

SCALE: 3/4



**HOLE PATTERN DETAIL**

SCALE: 3/8

**NOTES:**

- MATERIAL: .075 STAINLESS STEEL #304-2B FINISH
- ALL DIMENSIONS ARE IN INCHES
- DRAWINGS ARE NOT TO SCALE
- KNUCKLE PATTERN MAY VARY

TOLERANCE (UNLESS NOTED)	DET	DTY	SH	STOCK SIZE	MATL	REMARKS
.X = ± .060						
.XX = ± .030						
.XXX = ± .015						
ANGLE = ± 2'						
FRACTION = ± 1/32						
REMOVE ALL BURRS BREAK SHARP EDGES .010 MAX						
Bill of Material						
HAGER COMPANIES						
HAGER - MODEL 790-903 - 95° CONTINUOUS STAINLESS STEEL HINGE						
DRAWING NO. 790-903 - 95°						