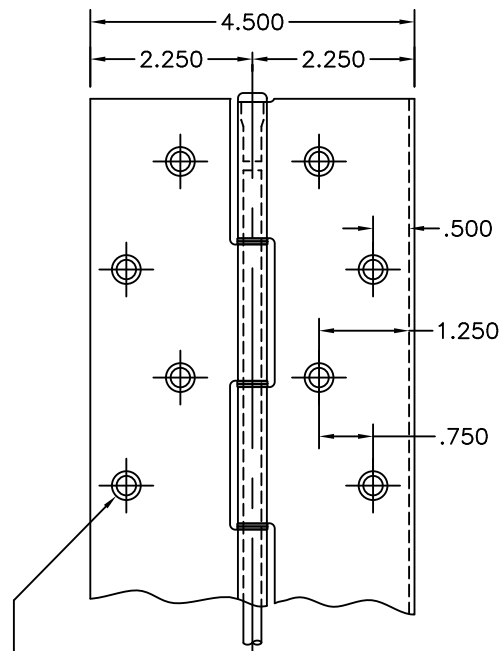
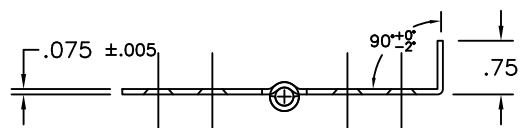


APPLICATION

SCALE: 3/4



PIERCE & COUNTERSINK FOR #10 FLAT HEAD SCREW, - SCREW HEAD FLUSH ± .010

HOLE PATTERN DETAIL

SCALE: 3/8

NOTES:

- MATERIAL: .075 STAINLESS STEEL #304-2B FINISH
- ALL DIMENSIONS ARE IN INCHES
- DRAWINGS ARE NOT TO SCALE
- KNUCKLE PATTERN MAY VARY

TOLERANCE	DET	QTY	SH	STOCK SIZE	MAT'L	REMARKS
±.080						
±.030						
±.015						
±.010						
±.005						
±.002						
±.001						
REMOVE ALL BURRS BREAK SHARP EDGES .010 MAX						
Bill of Material HAGER COMPANIES HAGER - MODEL 790-915 - 95" CONTINUOUS STAINLESS STEEL HINGE 08-18-03 DRAWING NO. 790-915 - 95"						