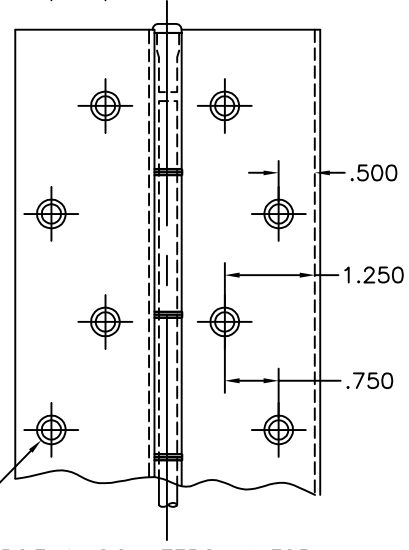
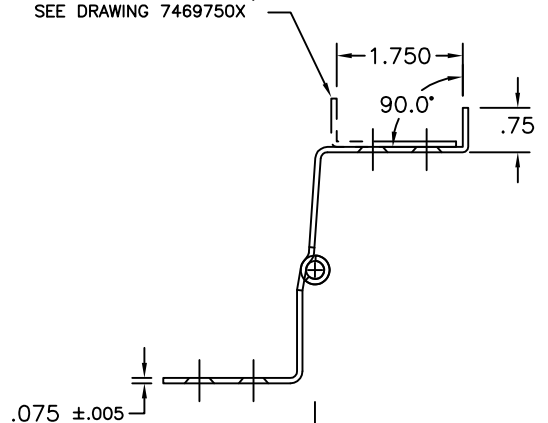


APPLICATION

SCALE: 3/4

FOR EDGE GAURD DETAIL,
SEE DRAWING 7469750X



PIERCE & COUNTERSINK FOR
#10 FLAT HEAD SCREW,
- SCREW HEAD FLUSH ± .010

HOLE PATTERN DETAIL

SCALE: 3/8

NOTES:

- MATERIAL: .075 STAINLESS STEEL #304-2B FINISH
- ALL DIMENSIONS ARE IN INCHES
- DRAWINGS ARE NOT TO SCALE
- KNUCKLE PATTERN MAY VARY

TOLERANCE	DEF	QTY	SH	STOCK SIZE	MAT'L	REMARKS
.X = ±.000 .XX = ±.005 .XXX = ±.015 ANGLE = ±.2° FRACTION = ± 1/32						
REMOVE ALL BURRS BREAK SHARP EDGES .010 MAX						
				Bill of Material		
				REVISIONS		
				HAGER COMPANIES		
				HAGER - MODEL 790-926 - 83"		
				CONTINUOUS STAINLESS STEEL HINGE		
				DRAWING NO. 790-926 - 83"		