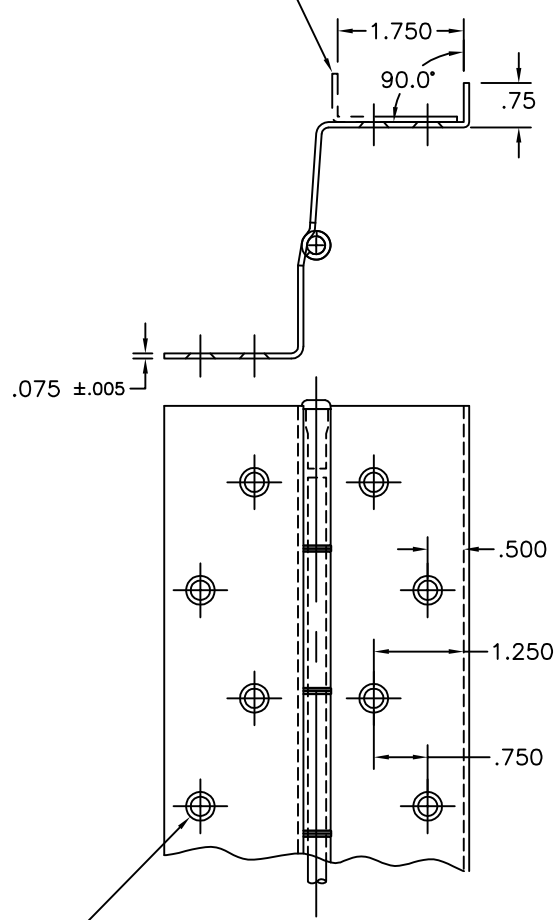


APPLICATION

SCALE: 3/4

FOR EDGE GAURD DETAIL,
SEE DRAWING 7469750X



HOLE PATTERN DETAIL

SCALE: 3/8

NOTES:

- MATERIAL: .075 STAINLESS STEEL #304-2B FINISH
- ALL DIMENSIONS ARE IN INCHES
- DRAWINGS ARE NOT TO SCALE
- KNUCKLE PATTERN MAY VARY

TOLERANCE		DEF	QTY	SH	STOCK SIZE	MPL	REMARKS
FRACTION	DECIMAL						
J	±.000						
JK	±.030						
JKK	±.015						
ANGLE	±.2°						
FRACTION	± 1/32						
REMOVE ALL BURRS BREAK SHARP EDGES .010 MAX							
Bill of Material							
REVISIONS							
HAGER COMPANIES							
HAGER - MODEL 790-926 - 85°							
CONTINUOUS STAINLESS STEEL HINGE							
DATE: 08-18-03 BY: KBU DRAWN AS NOTED							
DRAWING NO. 790-926 - 85°							