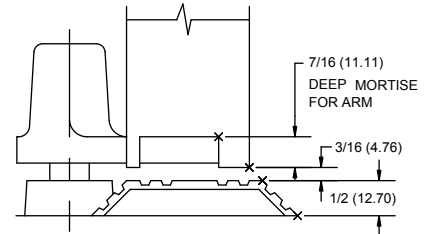
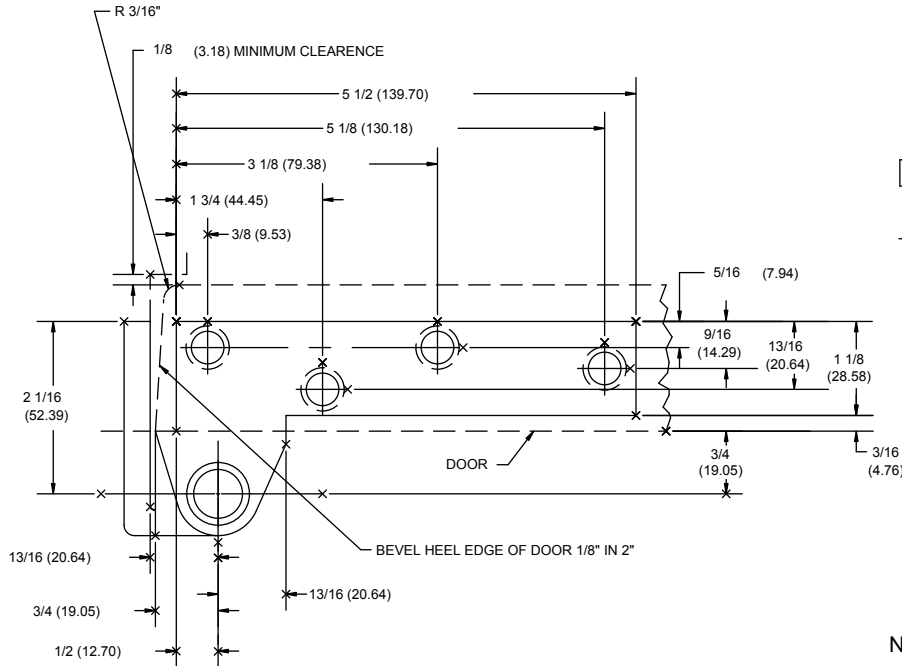
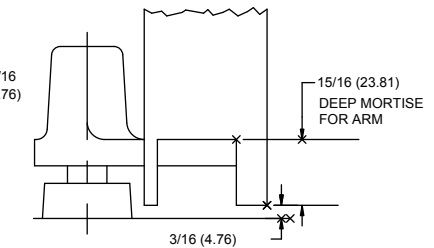


HEAVY WEIGHT BOTTOM PIVOT TEMPLATE HINGE

Template No. T 355
Rev. '96

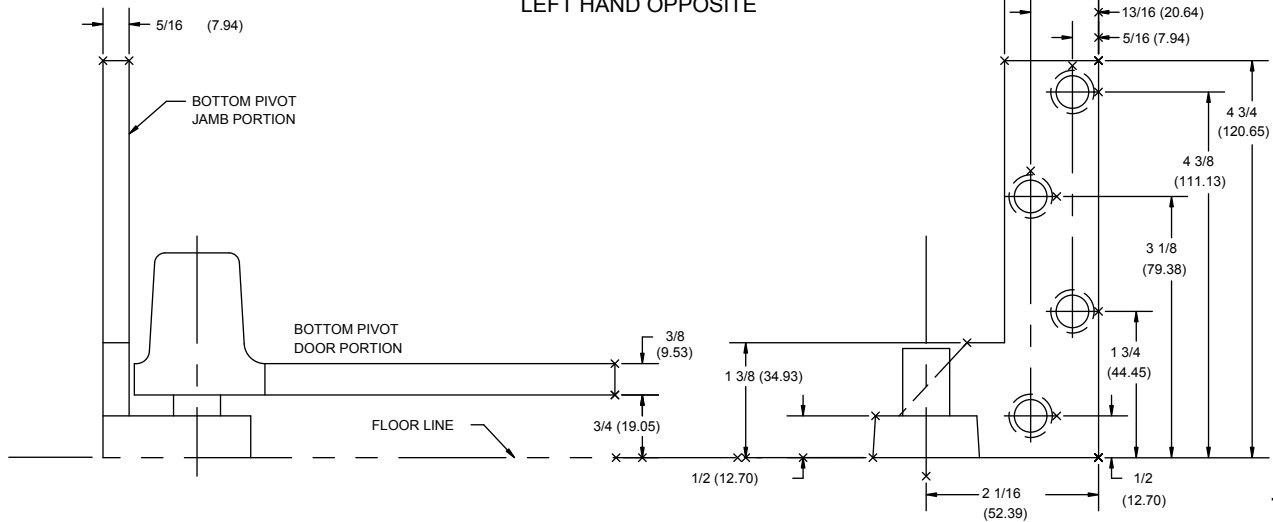


THRESHOLD APPLICATION



NON-THRESHOLD APPLICATION

RIGHT HAND SHOWN-
LEFT HAND OPPOSITE



-DO NOT SCALE-

CATALOG NUMBER	MATERIAL
497	BRONZE

ALL NON-BRACKETED DIMENSIONS ARE IN INCHES, ALL BRACKETED DIMENSIONS ARE IN MILLIMETERS.



Machine Screw Size- 1/4-20 x 5/8" F.H.
Wood Screw Size-No. 14 x 1 1/2" F.H.

HAGER RESERVES THE RIGHT TO MAKE
DESIGN CHANGES WITHOUT NOTICE. CALL
HAGER ENGINEERING AT 1-800-325-9995
FOR LATEST REVISION DATE OF TEMPLATE.

HAGER COMPANIES
139 VICTOR STREET
P.O. BOX 12300
ST. LOUIS, MISSOURI 63157-0300

Template No. T
355