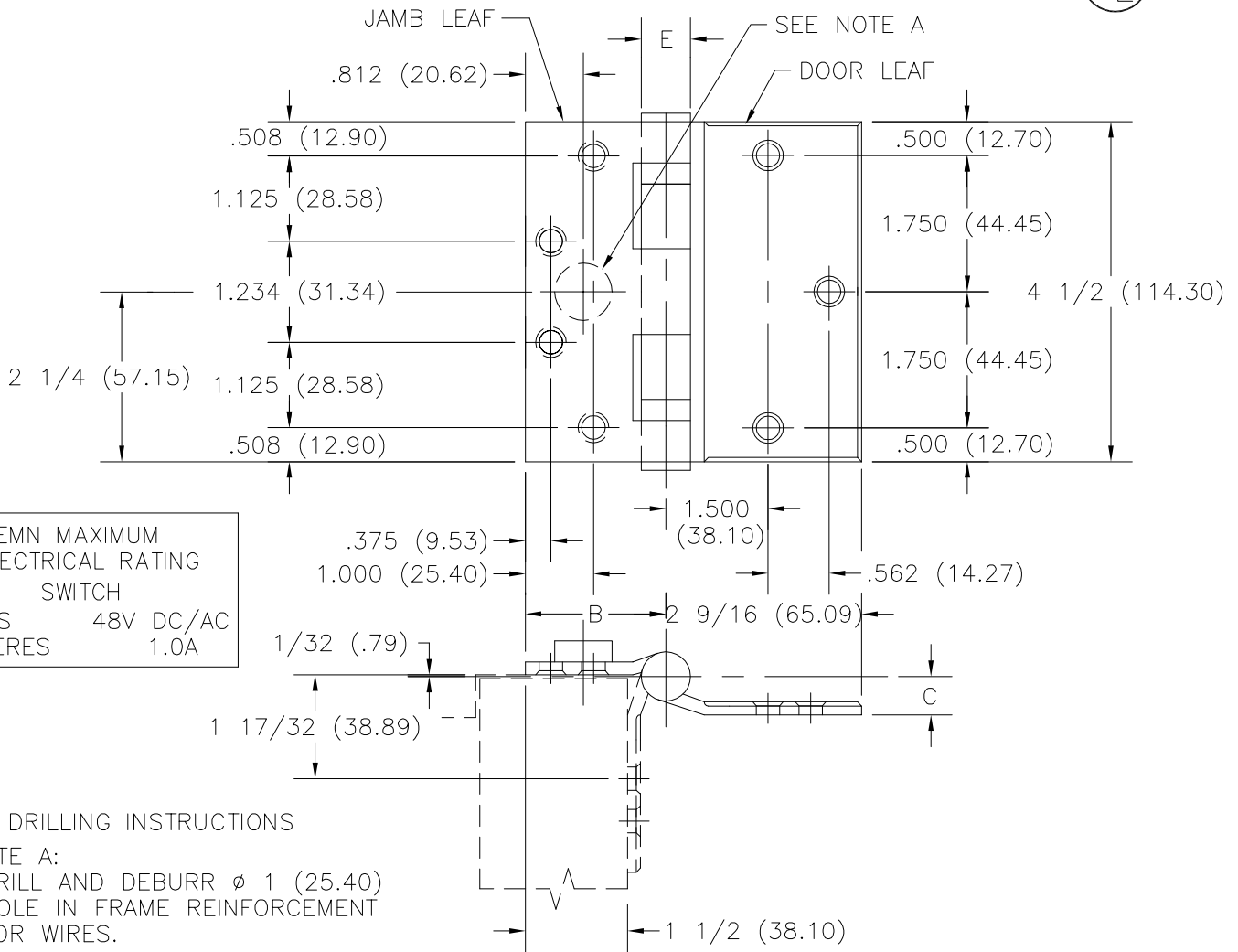


HALF SURFACE
 TEMPLATE HINGES ELECTRIC
 MONITOR TYPE EMN

Template No. T530
 Rev. '96

SIZE: 4 1/2 (114.30)



EMN MAXIMUM
 ELECTRICAL RATING
 SWITCH
 VOLTS 48V DC/AC
 AMPERES 1.0A

DRILLING INSTRUCTIONS

NOTE A:
 DRILL AND DEBURR ϕ 1 (25.40)
 HOLE IN FRAME REINFORCEMENT
 FOR WIRES.

-DO NOT SCALE-

CATALOG NUMBER		METAL GAUGE	(B) JAMB LEAF WIDTH	(C) DOOR LEAF OFFSET	(E) KNUCKLE DIAMETER
STEEL HINGES	NON-FERROUS HINGES				
AB703-EMN	AB803-EMN	.134 (3.40)	2 (50.80)	1/2 (12.70)	39/64 (15.48)
BB1173-EMN	BB2112-EMN	.134 (3.68)	2 (50.80)	1/2 (12.70)	39/64 (15.48)
AB753-EMN	AB853-EMN	.180 (4.57)	2 1/16 (52.39)	9/16 (14.29)	45/64 (17.86)
BB1163-EMN	BB2113-EMN	.180 (4.57)	2 1/16 (52.39)	9/16 (14.29)	45/64 (17.86)

ALL NON-BRACKETED DIMENSIONS ARE IN INCHES, ALL BRACKETED DIMENSIONS ARE IN MILLIMETERS.

Machine Screw Size: Door Leaf- 1/4-20 x 2" O.H. WITH GROMMET NUTS
 Jamb Leaf- 12-24 x 1/2" F.H.

NOTE: This hinge is intended to be used in the center position.
 Hospital type template hinges conform to the above screw size and location. They are designated by "HT" to catalog number.

Hager template hinges are made in gauge and with screw holes located to conform to ANSI-A156.7.



HAGER RESERVES THE RIGHT TO MAKE DESIGN CHANGES WITHOUT NOTICE. CALL HAGER ENGINEERING AT 1-800-325-9995 FOR LATEST REVISION DATE OF TEMPLATE.

HAGER COMPANIES
 139 VICTOR STREET
 P.O. BOX 12300
 ST. LOUIS, MISSOURI 63157-0300

Template No. T530