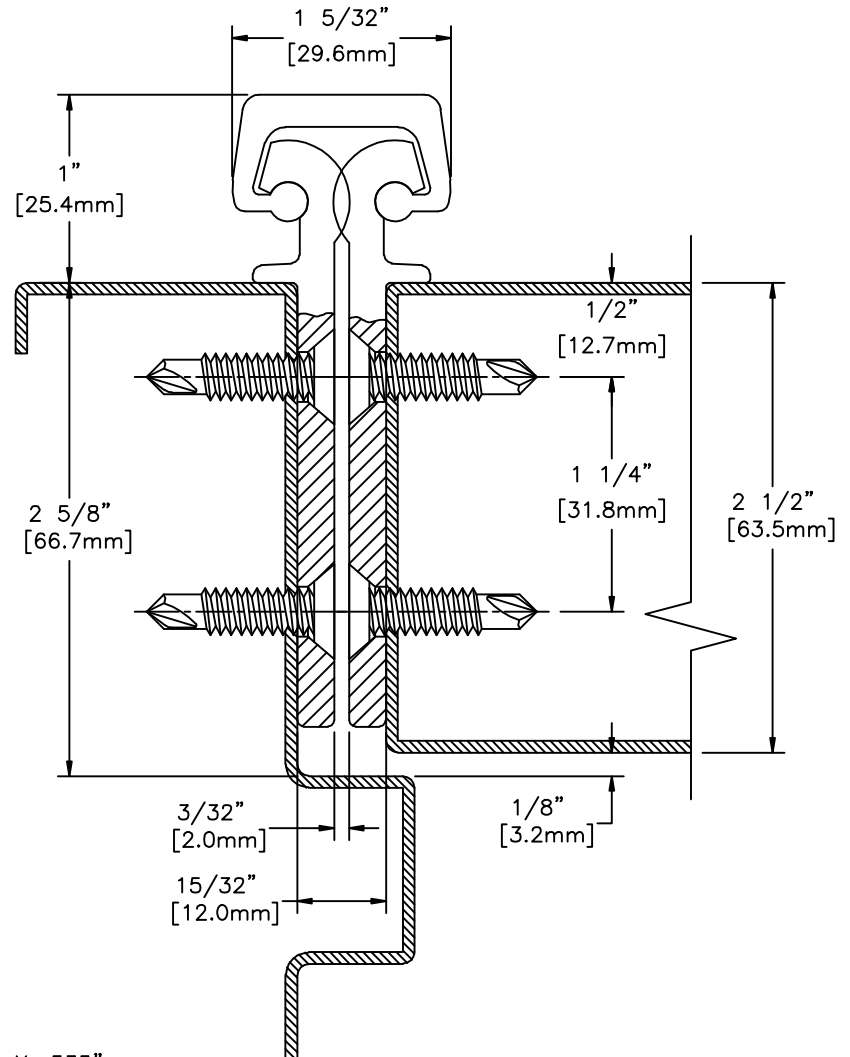



C'SINK 82' X .535"
FOR 1/4" FLAT HEAD
SCREW (52 PLACES).



This application is intended for square edged doors only. For beveled edge doors, refer to the General Information section titled Door and Frame Dimensioning - Concealed Models

		HAGER COMPANIES HIGHWAY 78 WEST P.O. BOX 3368 OXFORD, ALABAMA 36203	
1200-650 83" HD			
DATE	03-23-04	REV.	
DR.	MRD	SCALE	None
FILENAME	z:\roton\template\standard\1200-650.dwg		
DRAWING NO. TS6500830000000001			