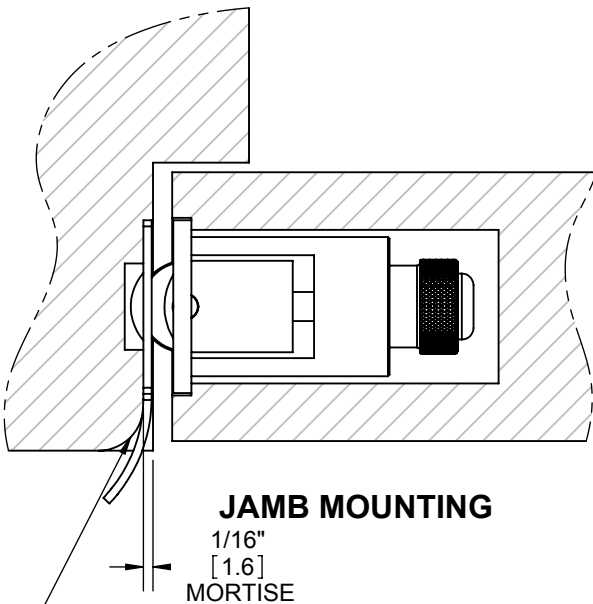
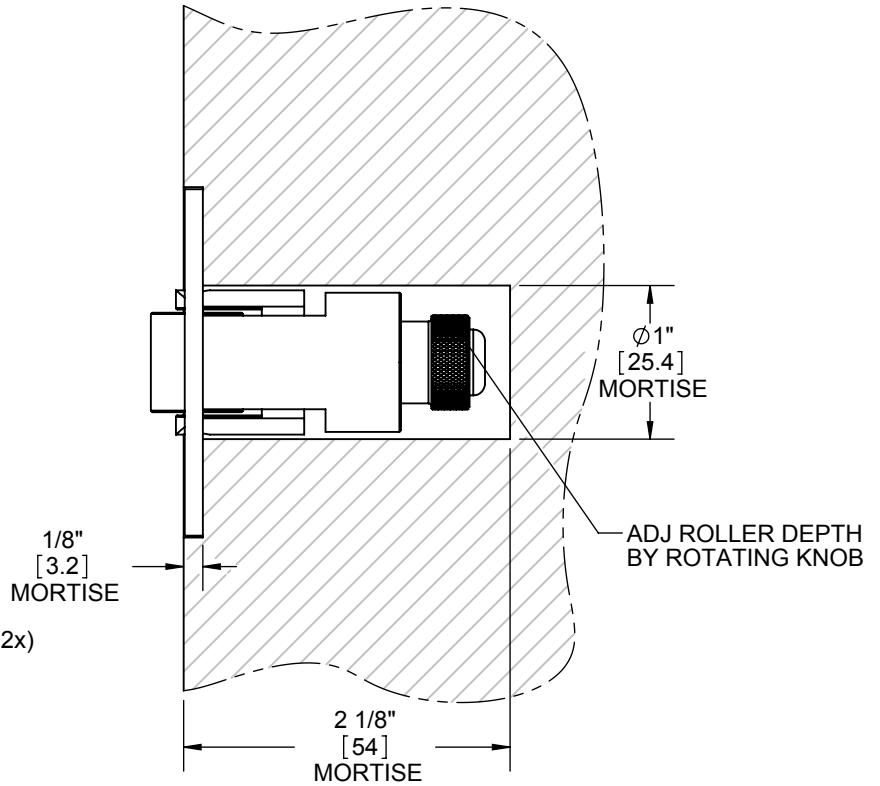
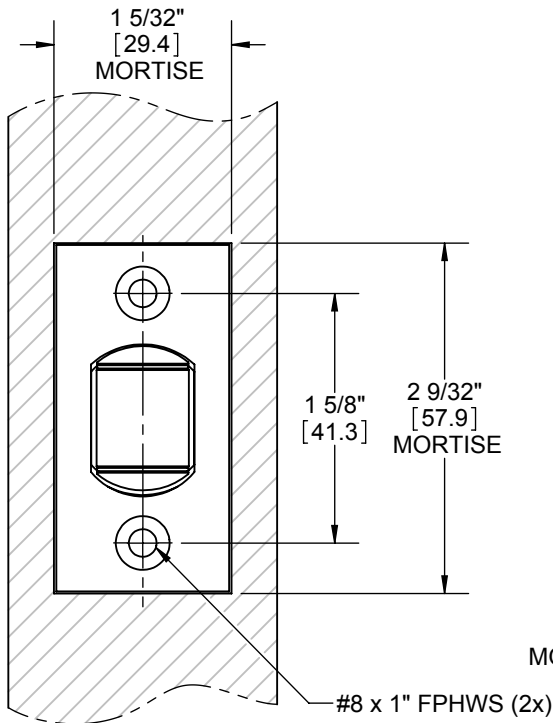
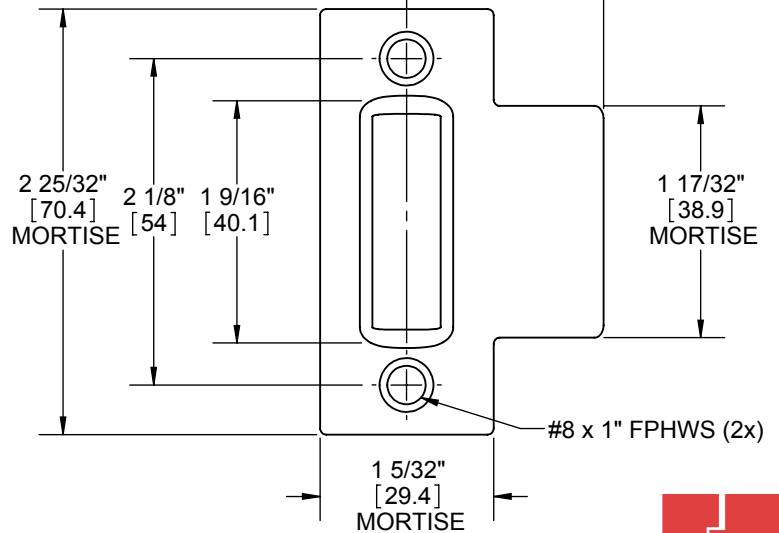
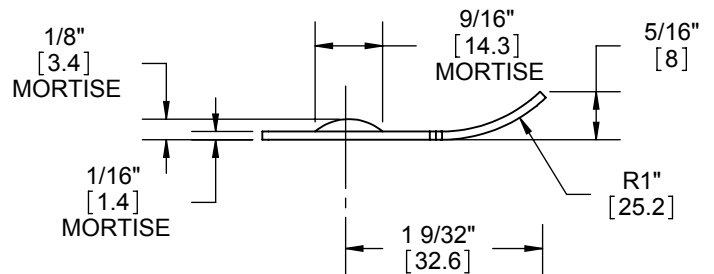


320R ROLLER LATCH WITH T-STRIKE DOOR & FRAME PREP TEMPLATE



MATERIAL MAY NEED TO BE REMOVED BEHIND THE LIP OF THE STRIKE (DEPENDING ON THE RABBET LENGTH.)



STRIKE

NOTE: HAGER RESERVES THE RIGHT TO MAKE PART CHANGES AND IS NOT RESPONSIBLE FOR OBSOLETE DRAWING ERRORS. TO ENSURE YOUR DRAWING IS CURRENT VISIT WWW.HAGERCO.COM.



NOT TO SCALE

DIMENSIONS IN [] ARE IN MILLIMETERS

TEMPLATE NO: T320R

DRAWING NO: T-TA00129

REV: 02

SHEET 1 OF 1

HAGER COMPANIES 139 Victor Street, St. Louis, MO 63104 - (800) 325-9995 - Fax (800) 782-0149