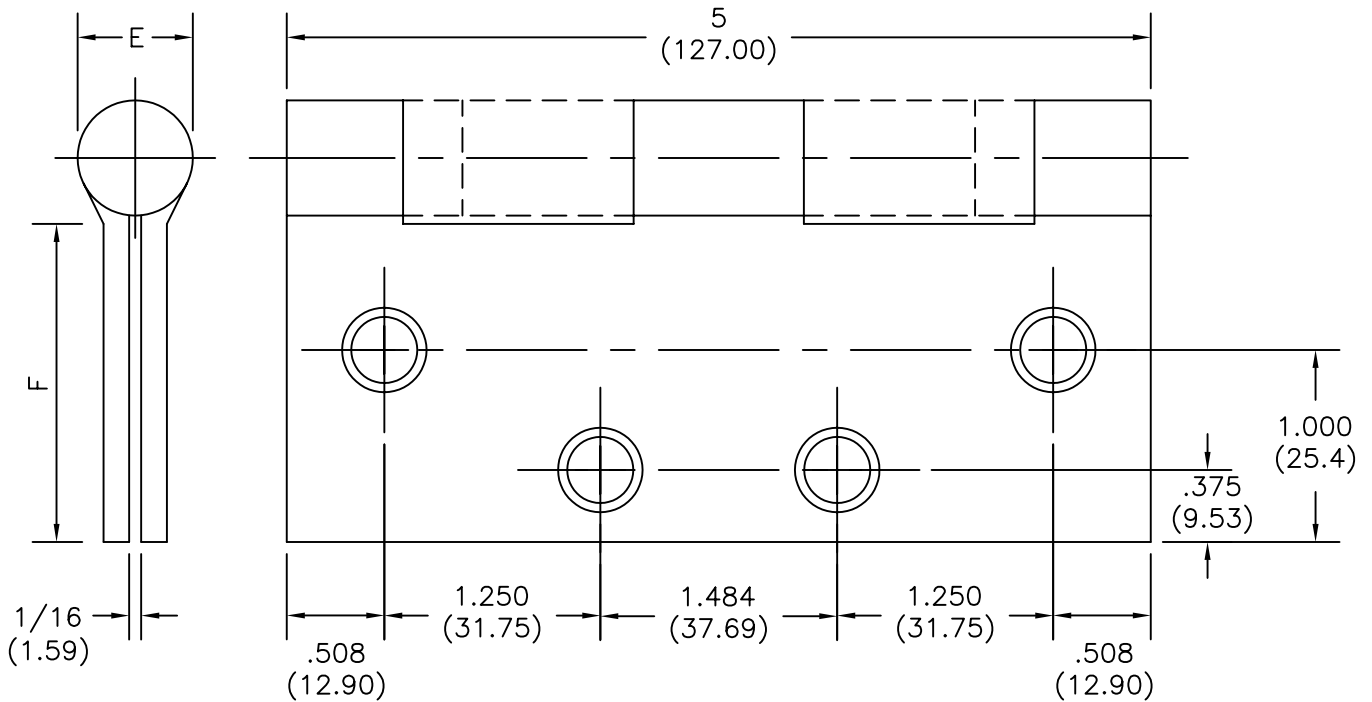


FULL MORTISE
TEMPLATE HINGE

SIZE: 5 x 4 1/2
(127.00 x 114.30)



-DO NOT SCALE-

CATALOG NUMBER		METAL GAUGE	(E) KNUCKLE DIAMETER	(F) DISTANCE FROM EDGE OF LEAF TO SWAGE LINE
STEEL HINGES	NON-FERROUS HINGES			5 x 4 1/2 (127.00 x 114.30)
ECBB1102	ECBB1103	.190 (4.83)	47/64 (18.65)	1 13/16 (46.04)

ALL NON-BRACKETED DIMENSIONS ARE IN INCHES, ALL BRACKETED DIMENSIONS ARE IN MILLIMETERS.

Machine Screw Size- 12-24 x 1/2" F.H.
Wood Screw Size- No. 12 x 1 1/4" F.H.


HAGER COMPANIES
139 Victor St.
St. Louis, MO 63104
1-800-325-9995

HAGER RESERVES THE RIGHT TO MAKE
DESIGN CHANGES WITHOUT NOTICE.

DESCRIPTION:
ECCO HEAVY WEIGHT
FULL MORTISE TEMPLATE HINGE

NO.	REVISION	BY	DATE
1	ECO CT05025	DH	01-23-06

PART NO.
T1103H